

Description

The Model 1100L is a two-wire loop powered rate indicator/totalizer/signal transmitter for use with strain gage Target inline, insertion or sanitary flowmeters. Model 1100L provides a 4-20 mA linear loop signal that is proportional to flow rate. The Model 1100L can be integrally mounted or remote mounted up to 50 ft.

Technical Information

Functional Specifications

Ambient Temperature	14° to 140°F (-10° to 60°C)
Power Input	18 to 36 VDC/memory battery backup (2 - wire)
Load Impedance	380 ohm @ 24 VDC supply/665 ohm @ 36 VDC supply
Outputs	4-20 mA DC proportional to flow rate 4 mA represents zero flow and 20 mA is full-scale flow
Display	Two Lines, simultaneous rate & total
Keypad	Four button process programming and calibration
Low Flow Cutoff	Factory set based on flowmeter turndown
Response Time	0.1 sec undamped

Performance Specifications

Accuracy	± 0.15% full scale
Repeatability	± 0.15% of point
Linearity	± 0.07% full scale
Resolution	± 0.02% full scale
Enclosure Protection	NEMA 4/IP 66
Enclosure Approvals	FM, CSA Class I, Groups B, C, D Class II, Groups E, F, G EEx d IIC

Physical Specifications

Materials of Construction	
Case	Polyester coated aluminum
Electrical Connection	3/4" FNPT

Dimensions (inch)

Remote mount shown. Integral mount does not have two 5/16" mounting ears.

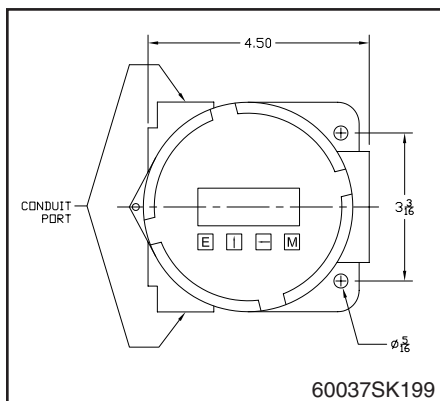


Figure 1

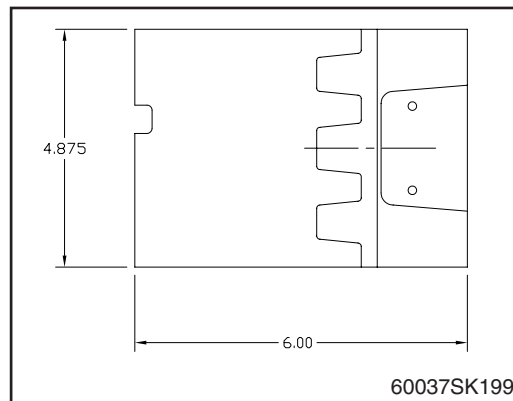


Figure 2

Ordering Information

Specify model number, remote or integral mounting and type of output at the time of ordering.