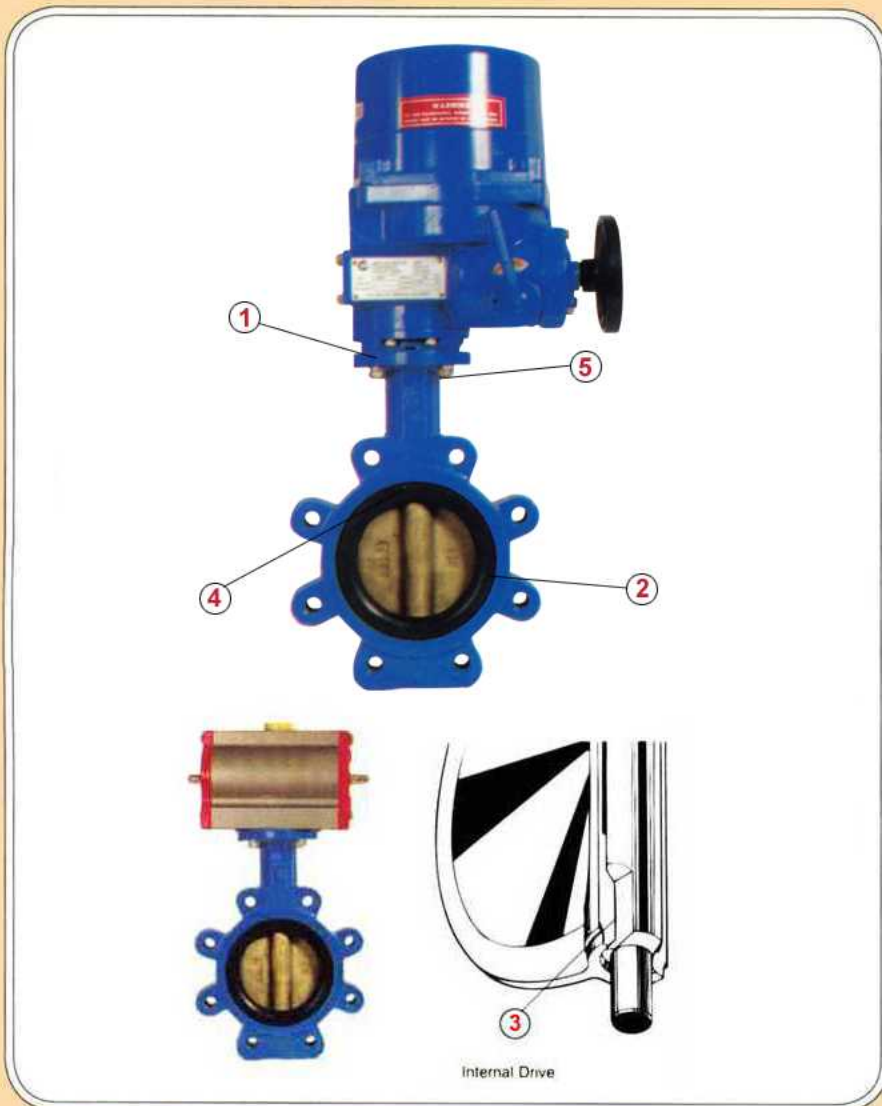


BUTTERFLY VALVES

397 Series

**For HVAC and Industrial Applications,
2" to 24" for Hot & Chilled Water,
including Glycol**

INTEC
CONTROLS



1. This valve, like the entire line, is completely universal on the top-side dimension and face to face.

2. The molded-in seat is non-collapsible, stretch resistant and blowout proof in 2" through 24".

3. The stem to disc engagement is internally driven. This gives you a positive engagement with no external pins that could vibrate loose.

4. The 397 has a series of molded in o-rings that give extra protection around the stem area. This helps prevent the possibility of stem leakage.

5. The 397 utilizes Graphite-Teflon impregnated bushings giving you a wear resistance self lubricating material that won't seize like bronze bushings.

The 2"-12" valves rated to 200 PSI close off, and 200 PSI dead end service. The 14"-24" valves rated to 150 PSI close off and 150 PSI dead end service. The 397 is suitable for vacuum service.

The 397 is designed for complete adaptability to utilize various actuators for throttling. They may be used with handles, gear operators, pneumatic or electric operators. As requirements change or demand arises, actuators can be changed without changing the valve.

Features & Benefits

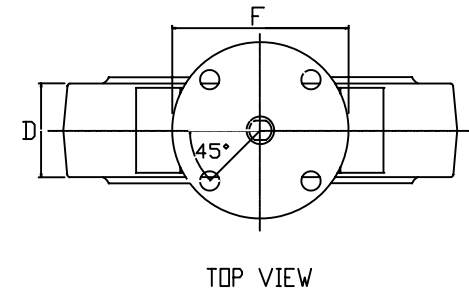
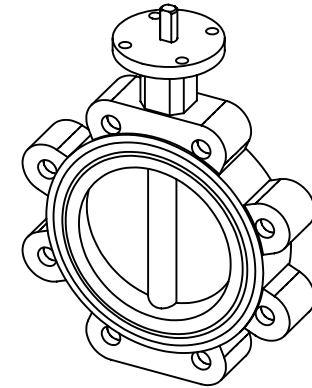
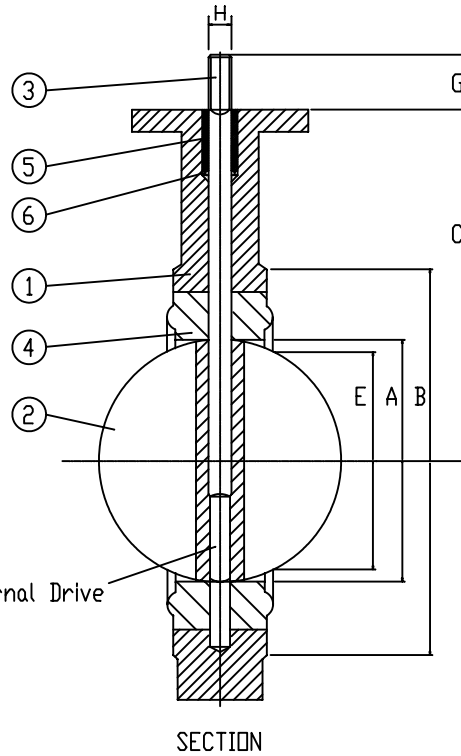
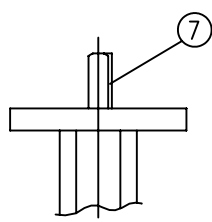
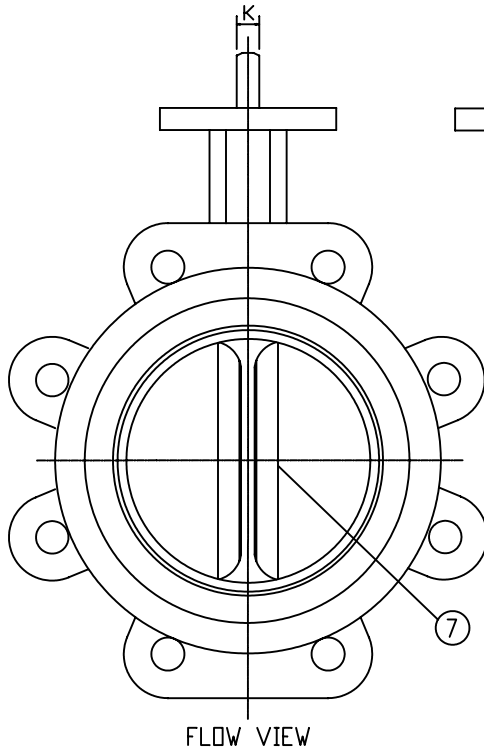
- -40°F to 250°F
- **Cast Iron Body, Full-Lugged**
- **200 PSIG Body Rated**
- **Bubble tight**
- **EPDM-Lined**
- **Ductile Iron-Nylon 11, Coated Disc**
- **416 Stainless Steel Stem**
- **Teflon Graphite Bushing**
- **Buna Seal Packing**

Notes:

1. 2" - 12" Valves rated to 200 PSI.
2. 14" & Larger rated to 150 PSI.

3-Way Valves include (2) Valve Bodies, Tee and Linkage

NOTES: GOOD FOR GLYCOL, COLD AND HOT WATER



NOTES:
The figure 397 can not be used on a pipe or flange with an inside diameter less than the "E" dimension.

API Standard 609

VALVE DIMENSIONS

Size	A	B	C	D	E	F	G	H	K	Keyway	Weight	Top Plate Drilling			Tapped Lug Data		
												Bolt Circle	No. of Holes	Hole Dia.	Bolt Circle	No. of Holes	Tap
2"	2	3 1/2	5 1/2	1 5/8	1 3/8	4	1 1/4	9/16	3/8	-	7 1/2	3 1/4	4	7/16	4 3/4	4	5/8-11 UNC
2.5"	2 1/2	4 1/4	6	1 3/4	2 1/16	4	1 1/4	9/16	3/8	-	9 1/2	3 1/4	4	7/16	5 1/2	4	5/8-11 UNC
3"	3	4 3/4	6 1/4	1 3/4	2 9/16	4	1 1/4	9/16	3/8	-	10	3 1/4	4	7/16	6	4	5/8-11 UNC
4"	4	5 7/8	7	2	3 5/8	4	1 1/4	5/8	7/16	-	18	3 1/4	4	7/16	7 1/2	8	5/8-11 UNC
5"	5	7 1/8	7 1/2	2 1/8	4 3/4	4	1 1/4	3/4	1/2	-	22	3 1/4	4	7/16	8 1/2	8	3/4-10 UNC
6"	5 3/4	8 3/16	8	2 1/8	5 1/2	4	1 1/4	3/4	1/2	-	26	3 1/4	4	7/16	9 1/2	8	3/4-10 UNC
8"	7 3/4	10 1/4	9 1/2	2 1/2	7 1/2	6	1 1/4	7/8	5/8	-	42	5	4	9/16	11 3/4	8	3/4-10 UNC
10"	9 3/4	12 9/16	10 3/4	2 1/2	9 19/32	6	2	1 1/8	-	1/4x1/8	65	5	4	9/16	14 1/4	12	7/8-9 UNC
12"	11 3/4	14 3/4	12 1/4	3	11 9/16	6	2	1 1/8	-	1/4x1/8	108	5	4	9/16	17	12	7/8-9 UNC

Item No.	Name	No. Req'd	Material	Remarks
1	Lugged Body	1	Cast Iron	
2	Disc	1	Ductile Iron - Nylon 11 Coated	
3	Stem	1	416 Stainless	
4	Seat	1	EPDM	
5	Bushing	1	Teflon / Graphite	
6	Seal	1	Buna	
7	Key	1	Steel	

397-697

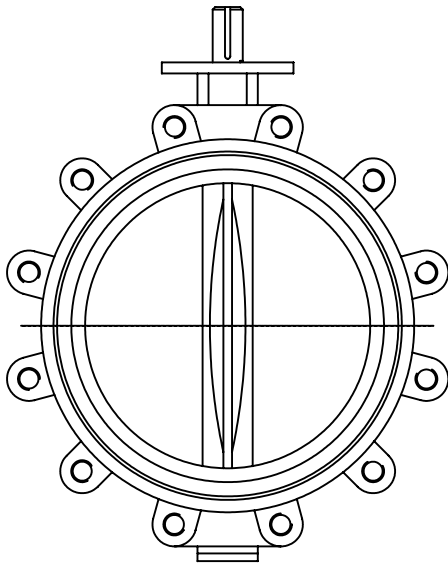
-40°F - 250°F
200 PSI RATED

BY DATE DESCRIPTION

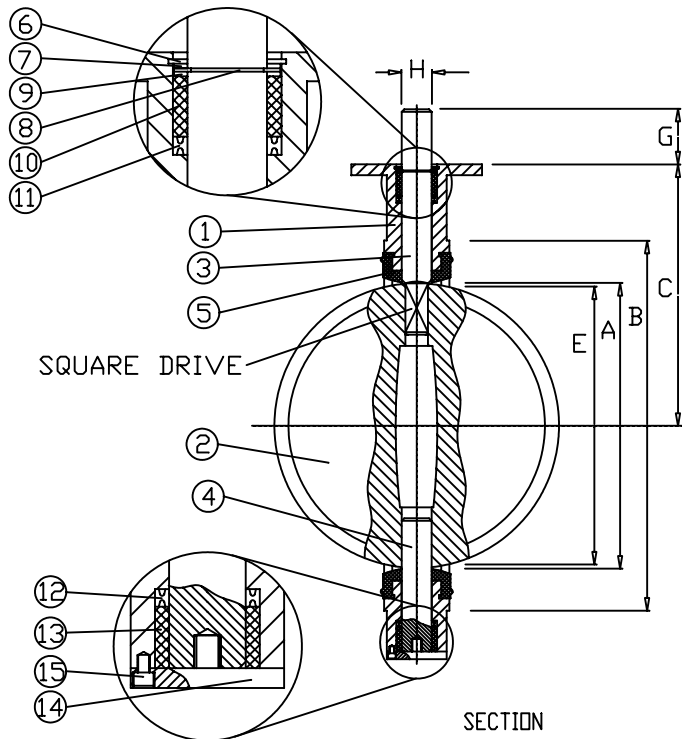
REVISIONS

SUBASSEMBLY PART NUMBER				
Trim	Part	Size	Figure No.	Style
INTEC Controls, Inc.				
2"-12" Figure 397 Valve Standard Lug Pattern				
BODY: Tapped Lug w/360° Top Plate			INTEC CONTROLS	
DISC: Standard				
STEM: One Piece w/Flats/Keyway				
SEAT: Elastomer				
DATE: 06-23-06			DRAWING NO. 2-12 397-697	

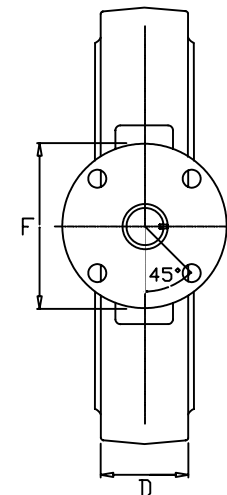
NOTES: GOOD FOR GLYCOL, COLD AND HOT WATER



FLOW VIEW



SECTION



TOP VIEW

VALVE DIMENSIONS

Size	A	B	C	D	E	F	G	H	Keyway	Weight	Top Plate Drilling			Tapped Lug Data		
											Bolt Circle	No. of Holes	Hole Dia.	Bolt Circle	No. of Holes	Tap
14"	13 1/4	17 9/16	12	3	13 1/8	6	2 1/4	1 3/8	5/16x5/16	115	5	4	9/16	18 3/4	12	1-8 UNC
16"	15 1/4	20 1/8	12 61/64	4	15	6	2 1/4	1 5/8	3/8x3/8	180	5	4	9/16	21 1/4	16	1-8 UNC
18"	17 1/4	21 1/2	14 1/2	4 1/4	16 7/8	8	3	1 7/8	1/2x1/2	244	6 1/2	4	13/16	22 3/4	16	1 1/8-7 UNC
20"	19 1/4	23 3/4	15 7/8	5	18 3/4	8	3	2 1/8	1/2x1/2	270	6 1/2	4	13/16	25	20	1 1/8-7 UNC
24"	24 1/2	27 3/4	22 1/4	6	22 5/8	8	3	2 1/8	1/2x1/2	498	6 1/2	4	13/16	29 1/2	20	1 1/4-7 UNC

NOTES:
The figure 397 can not be used on a pipe or flange with an inside diameter less than the "E" dimension.

Item No.	Name	No. Req'd	Material	Remarks	SUBASSEMBLY PART NUMBER					
					Trim	Part	Size	Figure No.	Style	
1	WAFER BODY	1	DUCTILE IRON							
2	DISC	1	DUCTILE IRON - NYLON 11 COATED							
3	STEM, UPPER	1	416 STAINLESS							
4	STEM, LOWER	1	416 STAINLESS							
5	SEAT	1	EPDM							
6	CLIP	1	STEEL							
7	WASHER	1	STEEL							
8	CLIP	1	STEEL							
9	WASHER	1	STEEL							
10	BUSHING	1	TEFLON/GRAPHITE							
11	V-PACKING, UPPER	1	BUNA							
12	V-PACKING, LOWER	1	BUNA							
13	BUSHING	1	TEFLON/GRAPHITE							
14	CAP PLATE	1	DUCTILE IRON							
15	CAP BOLT	1	STEEL							

397-697

-40°F - 250°F

200 PSI RATED

API Standard 609

INTEC Controls, Inc.

14"-24" Figure 397 Valve
Standard Lug Pattern

BODY: Lug w/360° Top Plate
DISC: Standard
STEM: Two Piece w/Keyway
SEAT: Elastomer

BY DATE DESCRIPTION	REVISIONS	DATE: 06-23-06	DRAWING NO. 14-24 397-697
---------------------	-----------	----------------	---------------------------