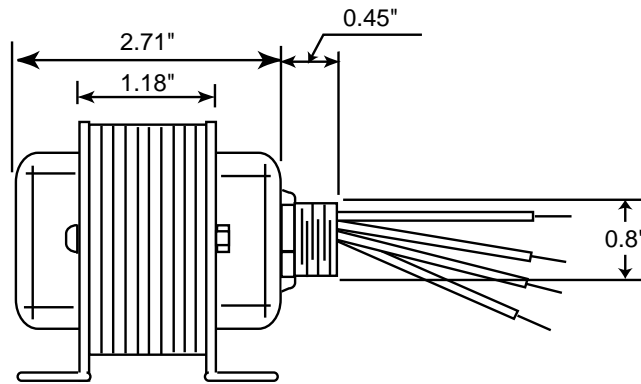
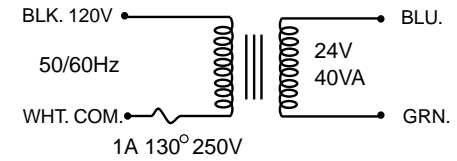
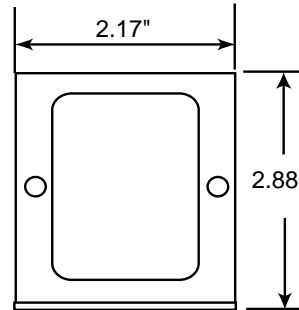
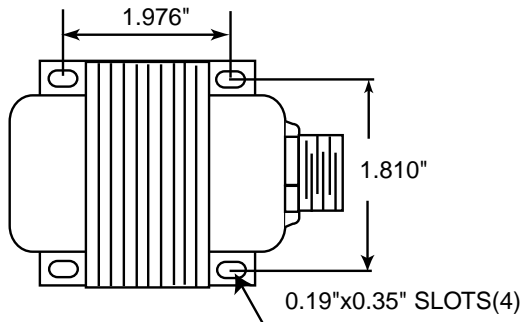


# Control Transformer

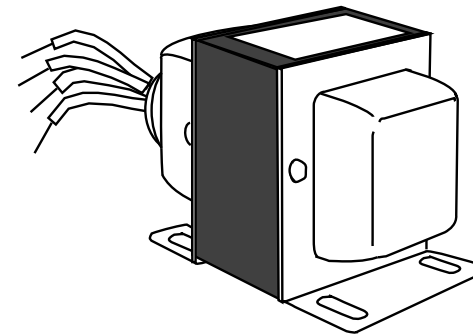


Part Number: **4011MWSH**  
 Type: UL1585, Class 2 Transformer  
 Approvals/Listings: UL Listed, CSA Certified

Rating: 40 VA  
 Voltage: 120 VAC : 24 VAC



UL1015#18 LENGTH 8" IN COLOR  
 "WHITE", "BLACK", "BLUE" & "GREEN"



UNIT: inch ±0.04