

SENTRY "Smart" 500 Series

Self-Calibrating Current Operated Switches

The Sentry 500 Series Current Switches monitor up to 150 amps AC and provide an auto-setting AC/DC switch configured either for "over/under" monitoring or for underload monitoring. They offer proven reliability and solid performance in both solid core and split core configurations.



FEATURES

Fastest Installation

Simply run the monitored conductor through the aperture, connect wires to the switch contacts, and walk away. Automatically self-calibrates on initial startup. Easily clear and reset if the application changes. Self-powered for additional savings in wire and time.

Flexibility

The "over/under" configuration trips with either a 15% underload or a 15% overload. The "underload" configuration trips only when current falls 15% below the operating load. The split core version simplifies retrofits.

Reliability

These current switches have been field-proven in hundreds of thousands of installations since 1982. Solid performance even in rooftop environments. Backed by five-year warranty.

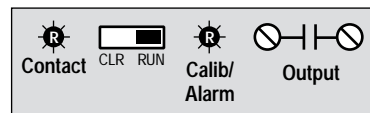
"Smart" LED's

Two LED's provide quick visual confirmation of switch and calibration status.

APPLICATIONS

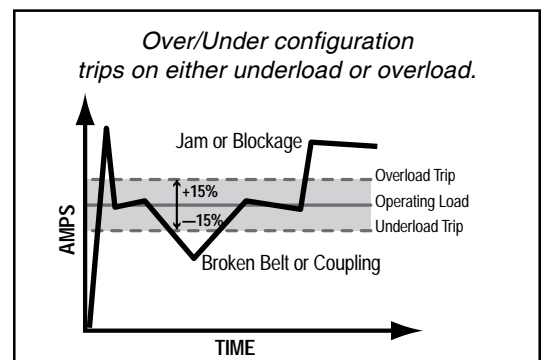
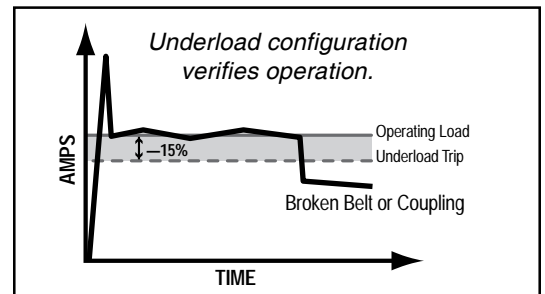
- Monitor fan and pump status
- Monitor heating elements
- Verify status of facility or equipment power
- Direct control of light loads, such as lamps and relays

CONNECTIONS



NOTES

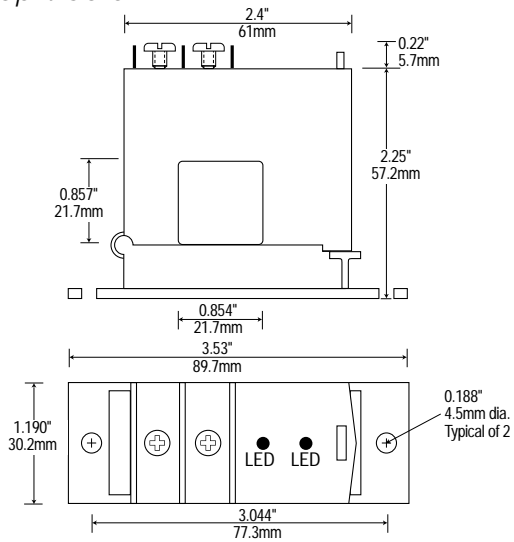
- Terminals are #6 screws.
- Solid State AC/DC Switch is not polarity sensitive.



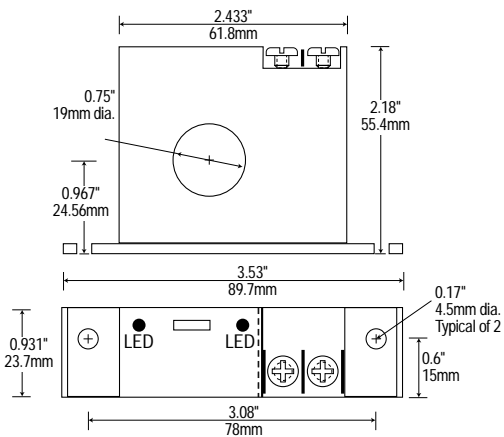
SENTRY "Smart" 500 Series

Self-Calibrating Current Operated Switches

Split Core



Solid Core



SPECIFICATIONS

- Power Requirement None, self-powered
- Output Magnetically Isolated Solid State Switch, N.O.
- Switch Rating 0.3 A @ 135 VAC or VDC, no polarity
- Off State Leakage None
- Response Time <200 milliseconds
- Set point Range 1.5–150A (solid core)
2.8–150A (split core)
- Set Point Over/Under: $\pm 15\%$ of load
Underload: -15% of load
- Hysteresis 5% of set point
- Maximum Current 150A continuous
500A for 6 seconds
1,000A for 1 second
- Isolation Voltage UL Listed to 1,270 VAC
Tested to 5,000 VAC
- Frequency Range 6–100Hz
- LED Indicators Two, for switch and calibration status
- Sensing Aperture 0.75" (19mm) diameter (solid core)
0.85" (21.5mm) square (split core)
- Case UL 94V-O Flammability Rated
- Environmental -58 to 149°F (-50 to 65°C)
0–95% RH, non-condensing
- Approvals UL, ULC, CE

Need an interposing relay? See the new PowerBASE Relay PBR Series.

ORDERING INFORMATION

MODEL	SET POINT	CASE
Sentry 500	Over/Under, $\pm 15\%$ of load	Solid Core
Sentry SC500	Over/Under, $\pm 15\%$ of load	Split Core
Sentry 500-U	Underload, -15% of load	Solid Core
Sentry SC500-U	Underload, -15% of load	Split Core

