

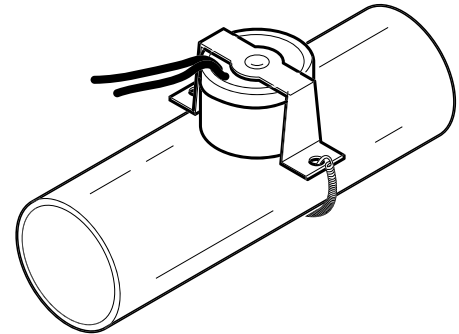
**Changeover Switch
General Instructions****Application**

The 680 series low or line voltage changeover switches are designed to switch a thermostat from heating to cooling based on a change in supply water temperature. The 680 series switches can be mounted on 5/8" or 7/8" O.D. copper tube or iron pipe.

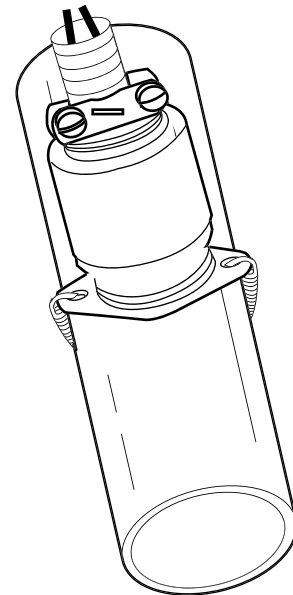
Both models are easily mounted to the supply piping with a simple spring clip included with the thermostat. Each thermostat also includes the necessary wire nuts and strain relief bushing.

Features

- Strap on seasonal changeover switch
- Includes all necessary parts for installation
- Snap acting SPDT



**680-243-5
Changeover Switch**



**680-243-6
Changeover Switch
with Conduit Connection**

SPECIFICATIONS

Inputs

Connections:

Power, Three color-coded leads, 36" (914 mm).

Current Rating, See Model Chart.

Outputs

Mechanical:

Changeover Temperature Range, Switch closes white to black (heat): 83°F ± 5°F (18°C ± 2.6°C). Switch closes white to blue (cool): 65°F ± 5°F (28°C ± 2.6°C).

Environment

Temperature limits:

Shipping & Storage, 20 to 176°F (-29 to 80°C)

Maximum Operating, 220°F (104°C) fluid at ambient temperature of 125°F (52°C)

Shipping Weight: 0.31 lb (69 mg).

Location: NEMA Type 1.

Agency Approval

CSA: Approved.

Table-1 Model Chart.

Model	Voltage	Inductive		Resistive Amps	Conduit Connection
		FLA	LRA		
680-243-5	120	5.8	34.8	10	No
	240	2.9	17.4	5	
680-243-6	120	10.0	60.0	25	Yes
	240	5.0	30.0	25	

TYPICAL APPLICATIONS (wiring diagram)

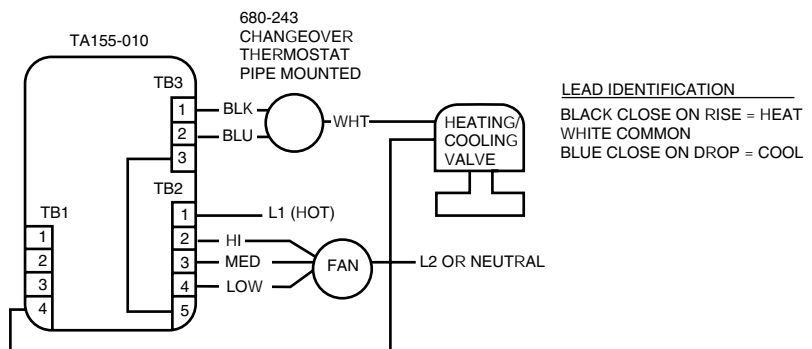


Figure-1 Typical Wiring.

INSTALLATION

Inspection

Inspect the package for damage. If damaged, notify the appropriate carrier immediately. If undamaged, open the package and inspect the device for obvious damage. Return damaged products.

Requirements

- Training: Installer must be a qualified, experienced technician
- Other accessories as appropriate

Precautions

General

▼ **WARNING**

- Electrical shock hazard! Disconnect power before installation to prevent electrical shock or equipment damage.
- Make all connections in accordance with the electrical wiring diagram and in accordance with national and local electrical codes.

▼ **CAUTION**

- Avoid locations where excessive moisture, corrosive fumes, explosive vapors, or vibration are present.
- Avoid electrical noise interference. Do not install near large conductors, electrical machinery, or welding equipment.

Mounting

Mount the changeover switch on a main supply header so that 680-243 accurately senses hot or cold fluid in piping. Avoid mounting on or near a section of pipe with no flow.

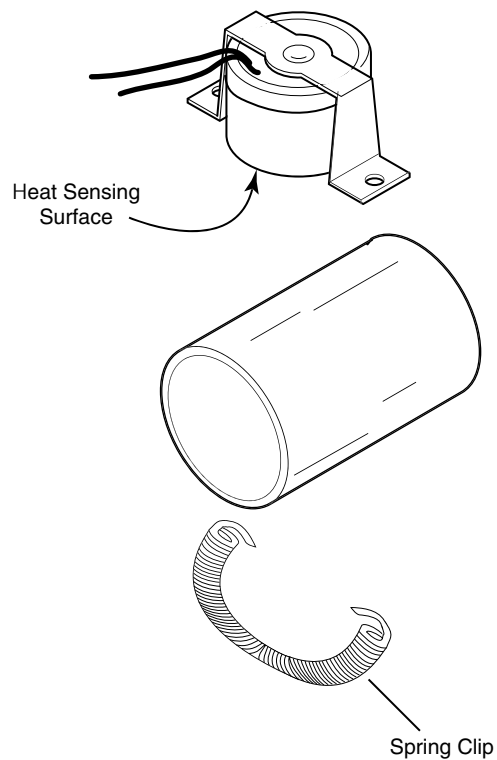


Figure-2 Mounting.

MAINTENANCE

The 680-243-X series requires no maintenance. Replace defective modules.

Regular maintenance of the total system is recommended to assure sustained, optimum performance.

FIELD REPAIR

None. Replace any damaged or failed components with functional replacements.