

## Product Data

**A/CS Series**  
**A/CSX Series**  
 Solid-Core Fixed  
 Current “Status” Switches

### Product Description

The A/CS and A/CSX series current switches are available in a solid-core with either Normally-Open (N/O) or Normally-Closed (N/C) output configurations. All of these sensors will have a solid-state output with a fixed trip point (setpoint). These current switches are ideal for providing status information on any type of AC current using equipment. The A/CS and A/CSX current switches are accurate, reliable, easy to install, and require less servicing than differential pressure switches, flow switches, and paddle wheels.

These current switches should be used in applications in which a “Go/No Go” current switch is required. A change in the operating current may indicate mechanical failure or that the unit has been turned off.

The A/CS and A/CSX series current switches can be used to monitor devices with a maximum continuous operating current of up to 250 Amps. These current switches will not need to be externally powered, since the power for the switch is induced from the conductor being monitored. Another great feature of the A/CS and A/CSX series current switches is that they include a Red “Status” LED that will indicate whether the current is above or below the fixed trip point.

### Product Specifications

<b>Sensor Power</b>	Induced from monitored conductor
<b>Amperage Rating</b>	0 to 250 Amps continuous
<b>Operating Frequency</b>	40 to 1 kHz
<b>Max. Sensing Current Voltage</b>	600VAC
<b>Isolation Voltage</b>	2,200 VAC
<b>Output Switch Rating</b>	A/CS (N/O): 0.3A @ 200 VAC/VDC A/CSX (N/C): 0.15A @ 300 VAC/VDC
<b>Status LED Indication</b>	Red LED - Above Trip Point
<b>Aperture (Hole) Size</b>	0.75”, Accepts up to 350 MCM Cables
<b>DIN Rail Size</b>	35mm
<b>Unit Weight</b>	0.21 lbs
<b>Operating Temperature Range</b>	-15 to 40°C (5 to 104°F)
<b>Operating Humidity Range</b>	0 to 95% RH, non-condensing

**Note:** DO NOT use the LED’s to indicate whether the sensors have power applied to them.

## Current

**Attributes:**

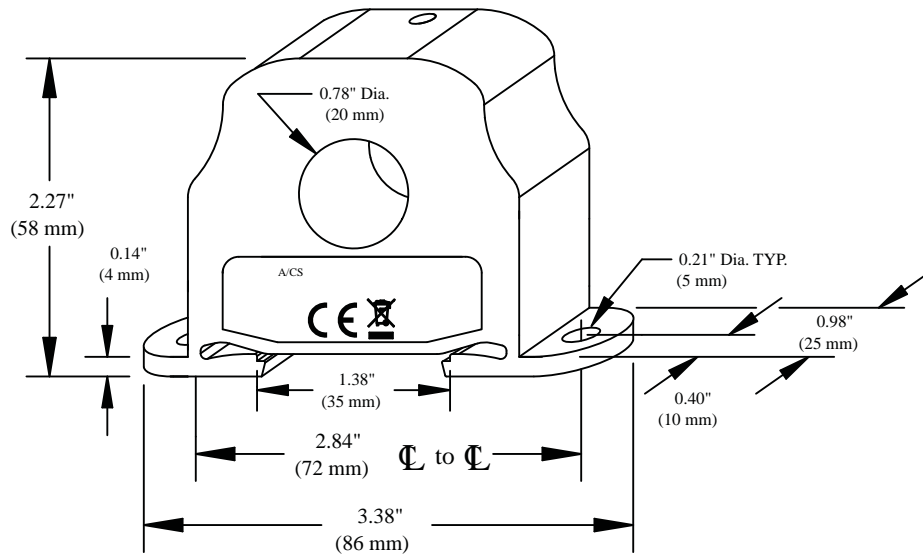
- “Go/NoGo” Status Switch
- Integral Din-rail mounting flange
- Rated up to 250 Amps
- Limited 5 year warranty
- UL94-5VB (enclosure rating)
- LED Indication

**Applications:**

- Monitoring Fans, pumps, and other electrical equipment for status
- Rated for industrial use

# Dimensions

## Solid-Core



## Ordering Information

Model #	Description	Fixed Trip Point	Output Switch Rating
A/CS	Solid-Core Current Switch, N/O, 0-250A	0.50 Amps	0.30A @ 200 VAC/VDC
A/CS-L	Solid-Core Current Switch, N/O, 0-250A	0.20 Amps	0.30A @ 200 VAC/VDC
A/CSX	Solid-Core Current Switch, N/C, 0-250A	1.00 Amps	0.15A @ 300 VAC/VDC
A/CSX-L	Solid-Core Current Switch, N/C, 0-250A	0.50 Amps	0.15A @ 300 VAC/VDC



**Warning:** Not intended to be used in Life & Safety Applications or for use in any hazardous locations.