

Product Data

A/MCS Series
A/MSCS Series
Solid and Split-Core Fixed
Current “Status” Switches

Product Description

The A/MCS and A/MSCS are miniature “Go/No Go” current status switches designed to replace relays in most applications. The output of the A/MCS and the A/MSCS current switches functions as a N/O switch activated by the amount of sensed AC current. The output of these switches uses a N/O solid-state switch (more reliable than a relay) and is non-polarity sensitive.

The A/MCS is the solid-core version while the A/MSCS is the split-core version, making it ideal for retrofit applications. Both sensors induce power from the conductor being monitored and require no external power.

The Model A/MCS has a fixed trip point of below 0.20A while the A/MSCS has a fixed trip point of below 0.55A. When the current in the conductor exceeds this threshold, the sensor will be “Closed.” The sensor will indicate “Open” when the current is interrupted or falls to 0A.

These units perform in any application where the amount of AC current flow is sufficient to indicate the operating status of the sensed load.

Product Specifications

Sensor Power	Induced from monitored conductor
Amperage Rating	A/MCS- 0.20 to 150 Amps A/MSCS- 0.55 to 150 Amps
Max. Sensing Current Voltage	600 VAC
Isolation Voltage	2,200 VAC
Operating Frequency	50 Hz, 60 Hz
Output Rating	A/MCS: 0.5A Continuous, 36 VAC/VDC A/MSCS: 0.5A Continuous 36 VAC/VDC
Aperture (Hole) Size	A/MCS - 0.55” dia., up to 1 AWG cables A/MSCS - 0.53” dia., up to 1 AWG cables
Trip Point	A/MCS - Fixed @ below 0.20 A A/MSCS - Fixed @ below 0.55 A
Dimension (LxWxH)	A/MCS 2.50" x 1.96" x 0.95" A/MSCS 2.65" x 2.35" x 0.95"
Operating Temperature Range	-30 to 60°C (-22 to 140°F)
Operating Humidity Range	0 to 95% RH, non-condensing

Current



Attributes:

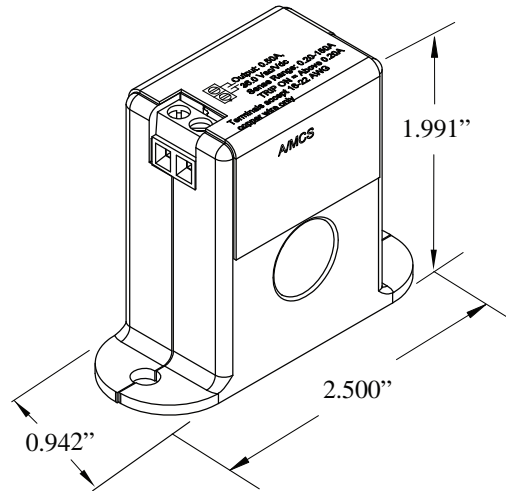
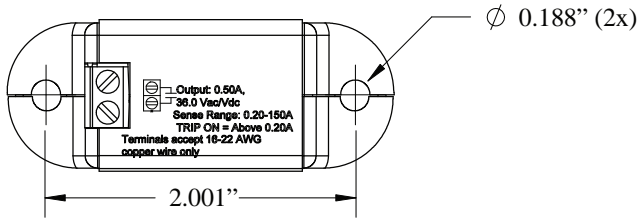
- “Go/NoGo” Status Switch
- Small Size
- Rated up to 150 Amps
- Limited 5 year warranty
- UL94-V0 (enclosure rating)

Applications:

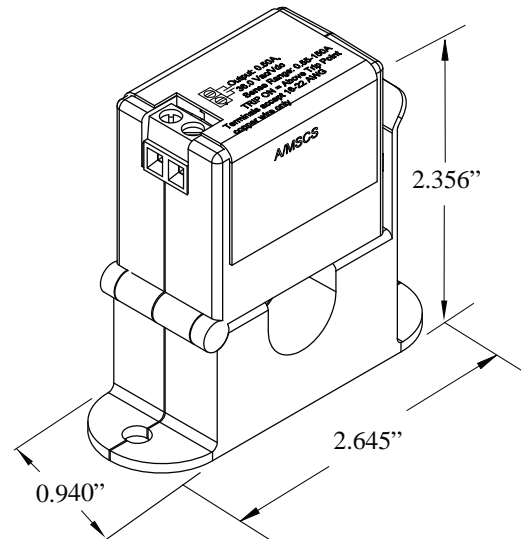
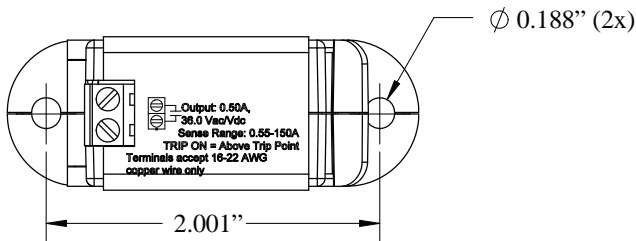
- Direct Drive Fans
- Pumps
- Heating elements
- Critical motors
- Lighting circuits
- Ancillary equipment

Dimensions

Solid Core



Split Core



Ordering Information



Model #	Description	Fixed Trip Point
A/MCS	Solid-Core, Fixed Current Switch, N/O, 0-150A	< 0.20 Amps
A/MSCS	Split-Core, Fixed Current Switch, N/O, 0-150A	< 0.55 Amps

Warning: *Not intended to be used in Life & Safety Applications or for use in any hazardous locations.*