

Product Data

A/SCTE Series

Split-Core 0-5VDC
Output Current Sensor

A/SCTV Series

Split-Core 0-10VDC
Output Current Sensor

Product Description

The A/SCTE and A/SCTV Series current sensors monitor the current flowing to electrical equipment or buildings. The magnitude of this current is then converted into a linear 0 to 5 VDC or 0 to 10 VDC output signal, which can be monitored by your Building Management, DDC, or PLC controller.

The A/SCTE and A/SCTV series current sensors are fast acting and extremely accurate from 5% to 10% up to 100% of the FSO (Full Scale Output) depending on the model being ordered. All of the A/SCTE and A/SCTV series current sensors are factory calibrated using a NIST Traceable standard and shipped with the jumper placed in the largest jumper selectable range.

The power for the A/SCTE and A/SCTV series current transmitter is induced from the conductor being monitored. This means that no external power supply is necessary for the installation of these sensors.

Product Specifications

Sensor Power	Induced from monitored conductor
Output Voltage	A/SCTE Series: 0 to 5 VDC A/SCTV Series: 0 to 10 VDC
Amperage Ranges	0 to 250 Amps See ordering information table
Accuracy	A/SCTE: +/- 1.0% (5 to 100% FSO) A/SCTV: +/- 1.0% (10 to 100% FSO)
Response Time	A/SCTE: < 100 mS A/SCTV: < 100 mS
Operating Frequency Range	50 to 600 Hz
Isolation Voltage	2,200 VAC
Max. Sensing Current Voltage	600 VAC
Aperture (Hole) Size	0.75", Accepts up to 350 MCM Cables
DIN Rail Size	35mm
Operating Temperature Range	-15 to 40°C (5 to 104°F)
Operating Humidity Range	0 to 95% RH, non-condensing
Enclosure Rating	UL94-5VB

Current



Attributes:

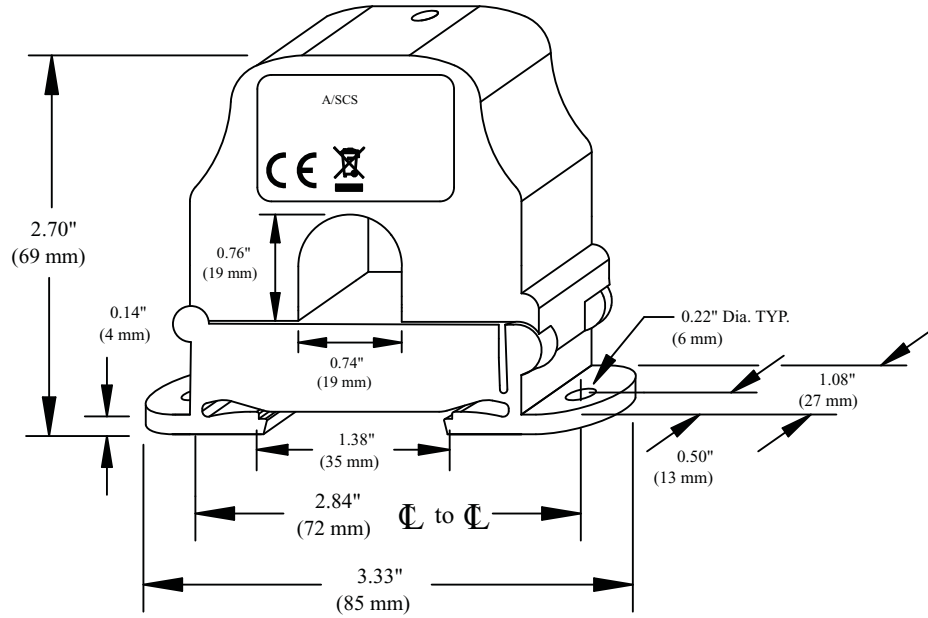
- Split-Core design is suited for retrofit applications
- Patented 35mm Din-rail mounting flange (US Patent 7,416,421)
- Rated up to 250 Amps
- Limited 5 year warranty
- Induced Power
- UL94-5VB (enclosure rating)

Applications:

- Load Trending Equipment (current monitoring)
- Monitoring Building Loads
- Rated for industrial use

Dimensions

Split-Core



Ordering Information

Model #	Description	Jumper Selectable Ranges
A/SCTE-50	Split-Core, 0 to 5 VDC Output	0-10, 0-20, 0-50 Amps
A/SCTE-250	Split-Core, 0 to 5 VDC Output	0-100, 0-200, 0-250 Amps
A/SCTV-50	Split-Core, 0 to 10 VDC Output	0-10, 0-20, 0-50 Amps
A/SCTV-250	Split-Core, 0 to 10 VDC Output	0-100, 0-200, 0-250 Amps

⚠ Warning: *Not intended to be used in Life & Safety Applications or for use in any hazardous locations.*