

CCE-3000 Series Pneumatic-Electric Relays, Single and Multi-Stage

Description

The CCE-3001 is a single-stage pneumatic-electric relay designed for applications where a single pneumatic signal requires one predetermined air pressure setting to actuate an electric switch.

The CCE-3002 is a two-stage pneumatic-electric relay, and the CCE-3003 is a three-stage pneumatic-electric relay. These relays are designed for applications where a single pneumatic air signal requires two or three predetermined air pressure settings, each actuating its own electric switch.

These relays are CSA and UL recognized. Their electrical ratings make them ideal for applications such as starting fan induction terminals or controlling one, two, or three stages of electric heating or refrigeration.

Features

- ◆ Choice of one, two, or three stage units.
- ◆ SPDT switching on each stage.
- ◆ Electrical rating of 25 amps each switch (non-inductive) @ 120/240/277 VAC, 1 HP @ 125 VAC, 2 HP @ 250 VAC, 750 VA pilot duty
- ◆ Fixed differential, 1 to 2 psi nominal (7 to 14 kPa)
- ◆ Setpoint range, 2 to 20 psig (14 to 138 kPa)
- ◆ Models are not position sensitive and may be mounted on surfaces or in bulk heads.
- ◆ CSA and UL recognized.

Application

The CCE-3000 series relays are ideal for starting fan induction terminals or controlling one, two, or three stages of electric heating or refrigeration.

Models

CCE-3001	One stage
CCE-3002	Two stage
CCE-3003	Three stage

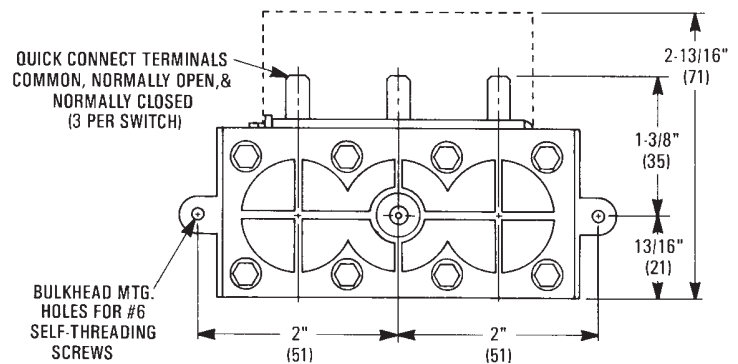
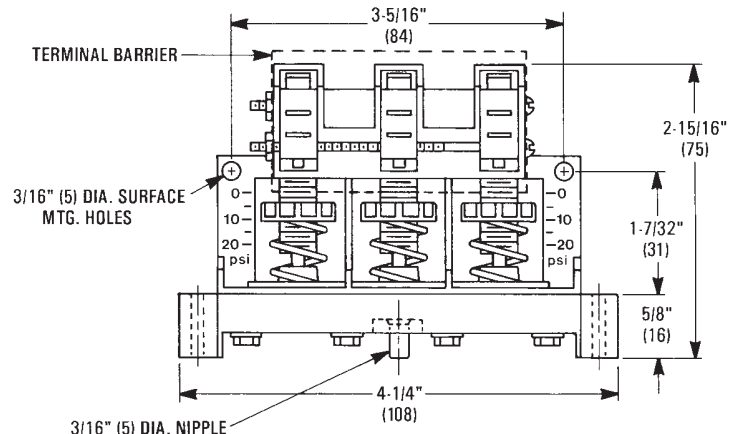
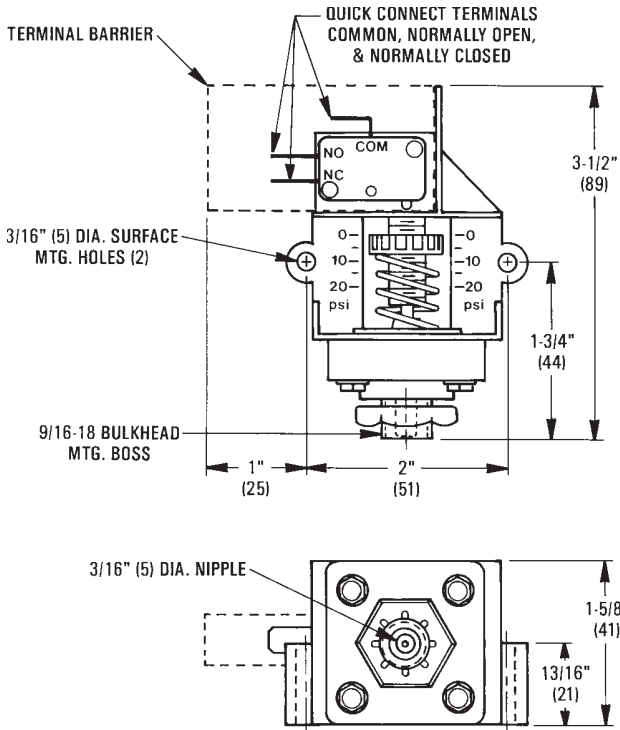


▲ CAUTION

Pneumatic devices must be supplied with clean, dry control air. Any other medium (e.g., oil or moisture contamination) will cause the device to fail.

Details

All dimensions are in inches (mm).



Specifications

Setpoint Range	2 to 20 psig (14 to 138 kPa)
Differential	Fixed differential, 1 to 2 psi nominal (7 to 14 kPa)
Pressure Max.	30 psig (207 kPa)
Connections	
Air	3/16" (5 mm) nipples for 1/4" (6 mm) O.D. polyethylene tubing
Electrical	1/4" quick-connect terminals
Switching Action	SPDT each stage
Electrical Ratings	25 amps each switch (non-inductive) @ 120/240/277 VAC, 1 HP @ 125 VAC, 2 HP @ 250 VAC, 750 VA pilot duty
Weight	
CCE-3001	2 oz. (57 grams)
CCE-3002	4.5 oz. (128 grams)
CCE-3003	5 oz. (142 grams)

Material

Housing	Black polycarbonate
Diaphragm	Silicone

Temperature Limits

Operating	40° to 150° F (4° to 60° C)
Shipping	-40° to 150° F (-40° to 60° C)

Approvals

CSA and UL recognized
Patent Number 4,855,545 (CEE-3002/3003)

INTEC
Wilson Mohr

9730 Distribution Ave.
San Diego, CA 92121

Ph: 858-578-7887
Fx: 858-578-4633

Email: info@inteccontrols.com
www.inteccontrols.com