



DBTA-323

 certified
 ISO 9001 **CE**

Room controllers for 2-pipe-systems

FUNCTION

2-pipe-systems (typically fan coils) control for room temperature applications with:

- 1 relay output;
- manual selection of On/Off, 3 motor speeds, season change over (depending on models);
- internal or remote temperature sensor (optional).

Type	On/Off (*)	3 speeds	Local S/W	Remote S/W
DBTA-323-435	•	•		•
DBTA-323-199	•			
DBTA-323-995				•
DBTA-323-998			•	

On request:
 °F scale

On request:

Optional 1 m cable remote sensor, selectable by jumper; ordering code: NTB010-623.

(*) for DB-TA-323-435 switch off / fan based on temp. / continuous fan.

TECHNICAL FEATURES

Power supply: 24/230 Vac +/- 10%, 50/60 Hz (jumpers allow the choice of power supply)

Max load: 6 A

Output: 1 SPDT relay 24/230 Vac 8 A

Power cons.: 1 W

Sensor: thermoresistor NTC 100K

Set point: +5...+30 °C; mechanical limitation of the set point adjustment

Differential: 0.5 °C

Working: temperature 0...+40 °C
 relative humidity 10...90% r.h. (non condensing)

Storage: -20...+70 °C

Housing: self-extinguishing plastic
 white (RAL 9010)

Protection: IP30

Dimension: 144 x 82 x 27 mm

Net weight: 170 g

ELECTRICAL WIRINGS

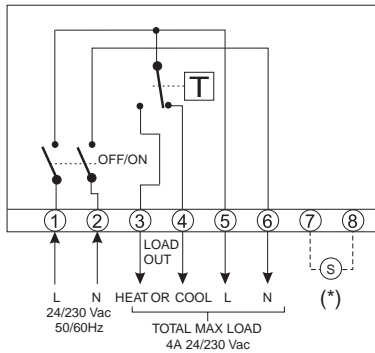
DB-TA-323-199

Terminal connections for heating or cooling systems: the On/Off switch provides the power supply to the terminals 5 and 6.

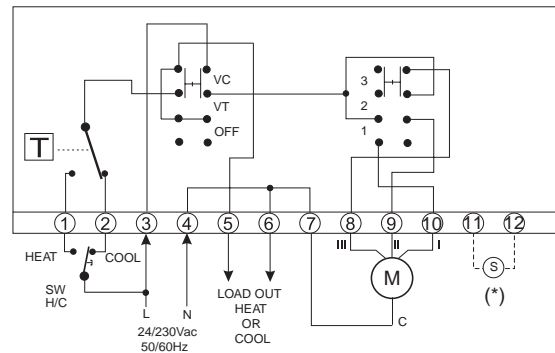
DB-TA-323-435

Terminal connections for heating or cooling systems, with 3 motor speed fan coils. Provided for remote season change over.

DB-TA-323-199



DB-TA-323-435



DB-TA-323-995

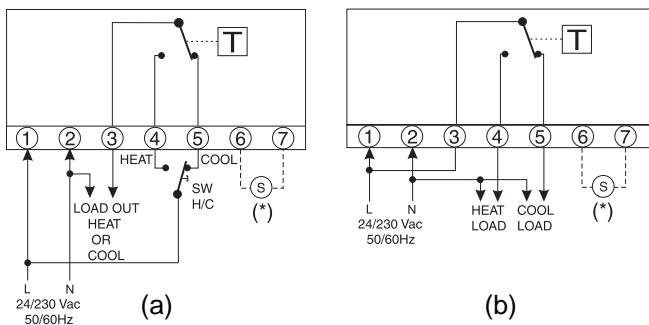
Terminal connections for systems with remote season change over.

Terminal connections for heating or cooling systems.

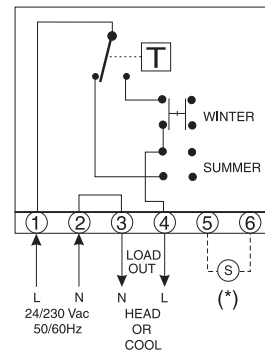
DB-TA-323-998

Terminal connections for heating or cooling systems.

DB-TA-323-995



DB-TA-323-998



(* Remote sensor (optional))

Jumper setting:

- J1 closed = internal sensor
- J2 closed = remote sensor
- J4 closed = power supply 24 Vac, 50/60 Hz
- J5 closed = power supply 230 Vac, 50/60 Hz

The products are factory supplied with internal sensor and 230 Vac jumper setting.

