



# DBTA-334

 certified  
 ISO 9001 **CE**

## Room controllers for heat pumps

### FUNCTION

Control of air conditioning systems with reverse cycle heating pump with:

- relay output;
- adjustable dead zone (ZN, model DBTA-334-199);
- manual On/Off selection, Heat/Fan/Cool and Cont/ Auto switches (model DBTA-334-244);
- internal or remote temperature sensor (optional).

Type	On/Off	Local S/W	Heat/Fan/Cool	Cont/Auto
DBTA-334-199	●	ZN		
DBTA-334-244	●		●	●

**On request:**  
 °F scale

### On request:

Optional remote 1 m cable sensor, selectable by jumper; ordering code: NTB010-623.

### TECHNICAL FEATURES

**Power supply:** 24/230 Vac +/- 10%, 50/60 Hz (jumpers allow the choice of power supply)

**Max load.:** 6 A

**Output:** 1 or 2 relay SPDT 24/230 Vac 8 A

**Power cons.:** 1 W

**Sensor:** thermoresistor NTC 100K

**Set point:** +5...+30 °C; mechanical limitation of the set point adjustment

**Differential:** 0.5 °C

**Dead zone:** 1...4 °C

**Working:** temperature 0...+50 °C  
 relative humidity 10...90% r.h. (non condensing)

**Storage:** -20...+70 °C

**Housing:** self-extinguishing plastic  
 white (RAL 9010)

**Protection:** IP30

**Size:** 144 x 82 x 27 mm

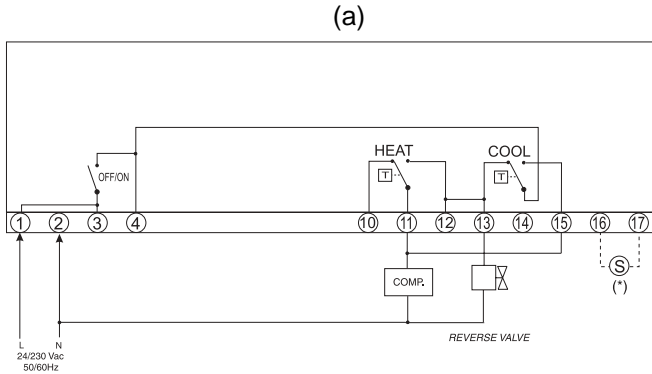
**Net weight:** 170 g

**ELECTRICAL WIRINGS**

DBTA-334-199

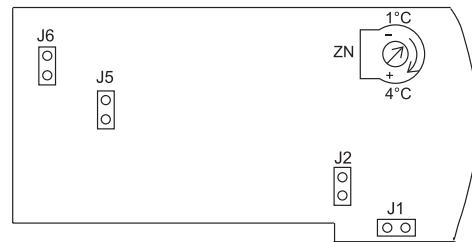
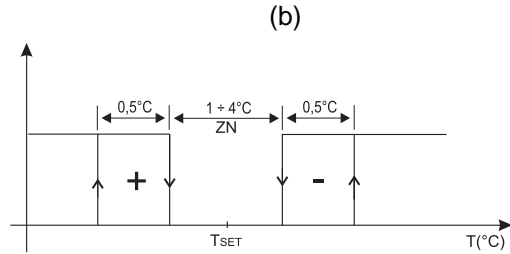
Terminal connections for air conditioning applications with reverse cycle heat pumps and automatic season change over between heating and cooling with adjustable dead zone (a).

Logic of relay output (b).



- J1 = internal sensor
- J2 = remote sensor
- J5 = 24 Vac, 50/60 Hz
- J6 = 230 Vac, 50/60 Hz

(\*) optional remote sensor

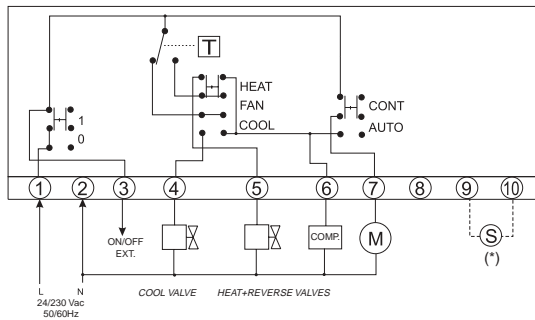


DB-TA-334-244

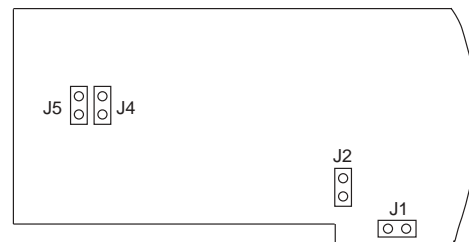
Terminal connections for air conditioning applications with reverse cycle heat pumps or 4-pipe systems.

There are the switches:

- On/Off for activation of external loads;
- Heat/Fan/Cool for heating, only fan or cooling mode;
- Cont/Auto for continuous or thermostatic ventilation.



(\*) optional remote sensor



- J1 = internal sensor
- J2 = remote sensor
- J4 = 24 Vac, 50/60 Hz
- J5 = 230 Vac, 50/60 Hz

The products are factory supplied with internal sensor and 230 Vac jumper setting.

