



DBTA-343

certified
ISO 9001 

Room controllers for 4-pipe systems

FUNCTION

4-pipe fan coil control for room temperature applications with:

- 2 relay output with dead zone (ZN);
- manual selection of On/Off and 3 motor speeds (depending on models);
- internal or remote temperature sensor (optional).

| Type | On/Off | 3 speeds | Local S/W |
|--------------|--------|----------|-----------|
| DBTA-343-139 | • | • | ZN |
| DBTA-343-199 | • | | ZN |
| DBTA-343-939 | | • | ZN |
| DBTA-343-999 | | | ZN |

On request:
°F scale

On request:

Optional remote 1 m cable sensor, selectable by jumper; ordering code: NTB010-623.

TECHNICAL FEATURES

Power supply: 24/230 Vac +/- 10%, 50/60 Hz (jumpers allow the choice of power supply)

Max load.: 6 A

Output: 2 SPDT relays 24/230 Vac 6 A

Power cons: 1 VA

Sensor: thermoresistor NTC 100K

Set point: +5...+30 °C; mechanical limitation of the set point adjustment

Differential: 0.5 °C

Dead zone: 1...4 °C

Working: temperature 0...+40 °C
relative humidity 10...90% r.h. (non condensing)

Storage: -20...+70 °C

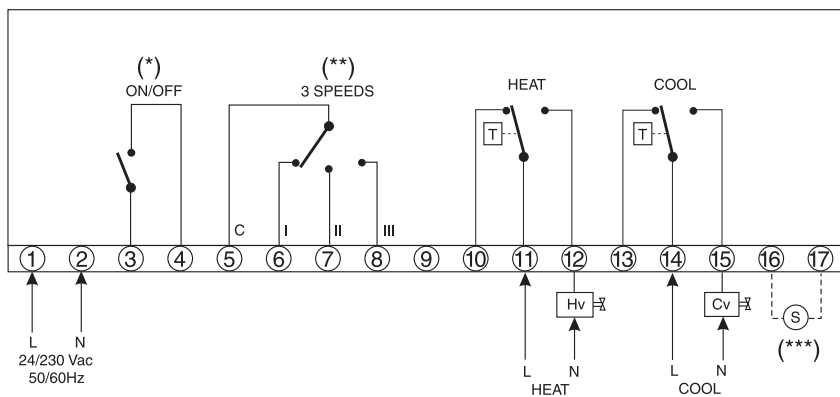
Housing: self-extinguishing plastic
white (RAL 9010)

Protection: IP30

Size: 144 x 82 x 27 mm

Net weight: 170 g

ELECTRICAL WIRINGS



Terminal connections for 4-pipe air conditioning and heating systems.

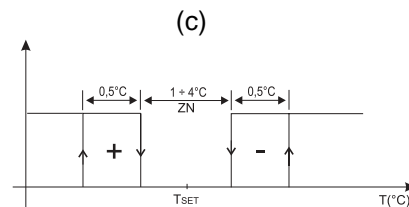
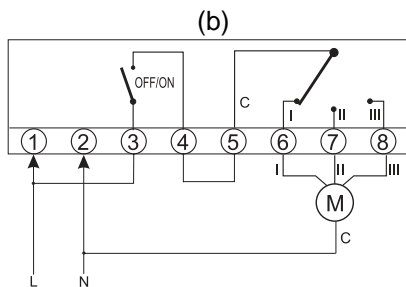
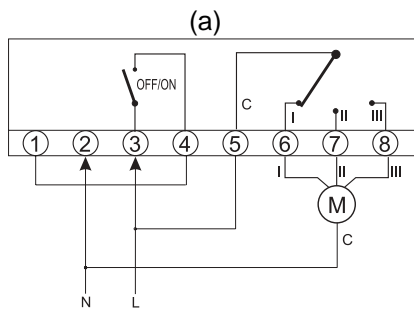
The On/Off and 3 speed switches are electrically independent from thermostat and other directly connected terminals.

(*) Only for models DBTA-343-139, DBTA-343-199

(**) Only for models DBTA-343-139, DBTA-343-939

(***) Remote sensor (optional)

Application examples of the terminal connection: the On/Off switch commands the start-up of the thermostat and the motor is always powered (a); the On/off switch commands the start-up of the motor (b). Logic of relay output (c).



Jumper setting:

- J1 closed = internal sensor
 - J2 closed = remote sensor
 - J5 closed = power supply 24 Vac, 50/60 Hz
 - J6 closed = power supply 230 Vac, 50/60 Hz
- The products are factory supplied with internal sensor and 230 Vac jumper setting.

