



DBTA-347

certified
ISO 9001 

Room controllers 3-points for 4-pipe-systems

FUNCTION

3-point valve control of valve on 4-pipe fan coil for room temperature applications with:

- 2 output for each valve, opening and closing, energy saving (activated only in the proportional band);
- proportional band adjustable by jumper;
- fixed dead zone (ZN);
- manual selection 3 motor speeds and thermostatic fan/continuous fan/off;
- knob adjustment min/comfort/max;
- internal or remote temperature sensor (optional);
- setting of the system response time.

STROKE TIME of valves (selectable by jumper): 60, 90, 120 or 180 s.

Type	Fan Switch Auto-On-Off	3 speeds	Local S/W
DBTA-347-439	●	●	ZN

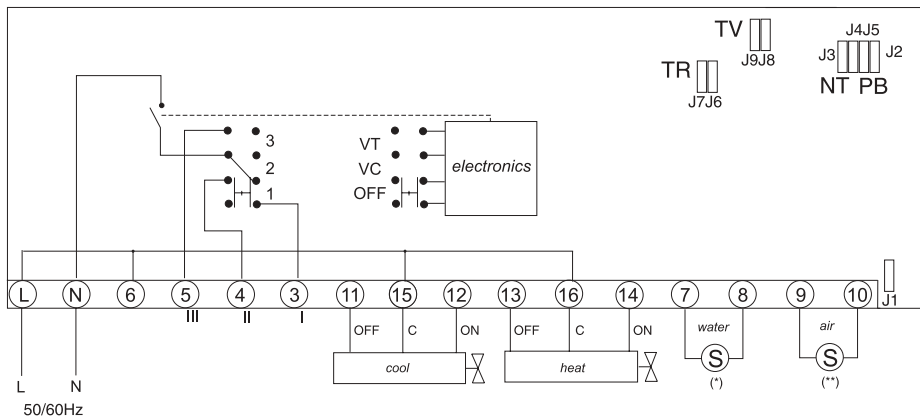
On request:
°F scale

On request:

Optional remote 1 m cable sensor, selectable by jumper; ordering code: NTA010-623.

TECHNICAL FEATURES

- Power supply:** 24 Vac +/- 10%, 50/60 Hz
Max load: valves: max 0.5 A, min 0.025 A
 speeds: max 1 A, min 0.040 A
Output: 24 Vac: 2 triac for each valve, 3 triac for the speeds
Power cons.: 1 W.
Sensor: thermoresistor NTC 10K
Set Point: summer: +24 +/- 5 °C
 winter: +20 +/- 5 °C
 mechanical limitation of the set point adjustment
Differential: 0.5 °C
Prop. band: 1...10 °C
Dead zone: 4 °C
Working: temperature 0...+50 °C
 relative humidity 10...90% r.h. (non condensing)
Storage: -20...+70 °C
Housing: self-extinguishing plastics
 white (RAL 9010)
Size: 144 x 82 x 27 mm
Net weight: 170 g
Protection: IP30



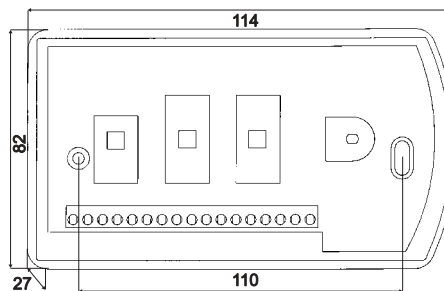
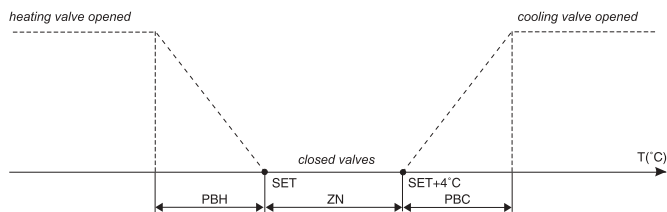
Terminal connections for air conditioning and heating 4-pipe systems.

Connect the motor with relay (output supply 24 Vac).

(*) Water sensor as minimum temperature thermostat with minimal threshold at 30 °C

(**) Remote sensor (optional)

Logic of output.



Jumper setting:

- TV = opening valve time
- TR = response time of the unit
- PB = proportional band
- NT = do not modify
- J1 opened = remote sensor
- J1 closed = internal sensor

The products are factory supplied with TV = 60 s, TR = 1 min e 30 s, BP = 4 °C and internal sensor.

J9	J8	TV (s)
0	0	60
0	1	90
1	0	120
1	1	180

J7	J6	TR
0	0	1mn30s
0	1	2mn
1	0	2mn30s
1	1	3mn

J4	J5	J2	PB (°C)
0	0	0	1
0	0	1	2
0	1	0	3
0	1	1	4
1	0	0	5
1	0	1	6
1	1	0	7
1	1	1	8