



DBTA-383

 certified
 ISO 9001 **CE**

Room controllers for 2 or 4-pipe fan coils

FUNCTION

2 pipe fan coil with 3 speed motor fan control for room temperature application with:

- manual selection of thermostatic fan/continuous fan/off, 3 motor speeds and season change over;
- internal or remote temperature sensor (optional).

Type	Fan Switch Auto-On-Off	3 speeds	Local S/W
DBTA-383-433	•	•	•

On request:
 °F scale

On request:

Optional remote 1 m cable sensor, selectable by jumper; ordering code: NTA010-623.

TECHNICAL FEATURES

Power supply: 24/230 Vac +/- 10%, 50/60 Hz (jumpers allow the choice of power supply)

Max load: 6 A

Output: 1 relay SPDT 230 Vac 8 A

Power cons.: 1 W

Sensor: thermoresistors NTC 10K

Set point: +5...+30 °C; mechanical limitation of the set point adjustment

Differential: 0.5 °C

Working: temperature 0...+40 °C; relative humidity 10...90% r.h. (non condensing)

Storage: -20...+70 °C

Housing: self-extinguishing plastic white (RAL 9010)

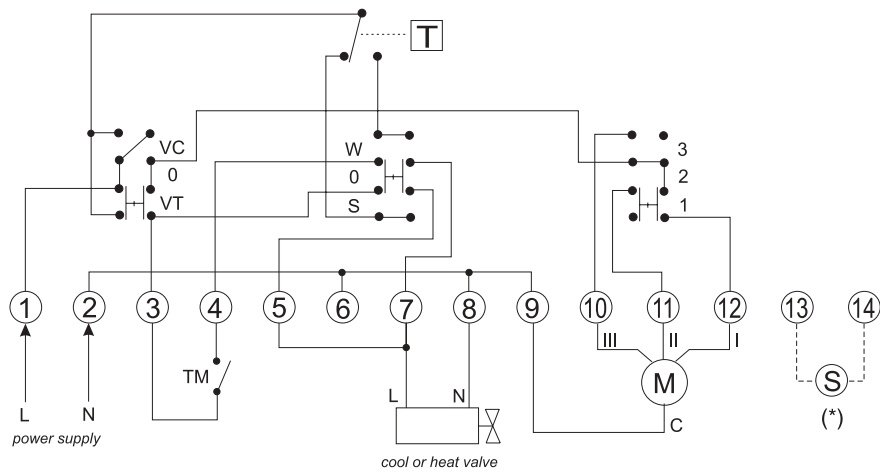
Protection: IP30

Size: 144 x 82 x 27 mm

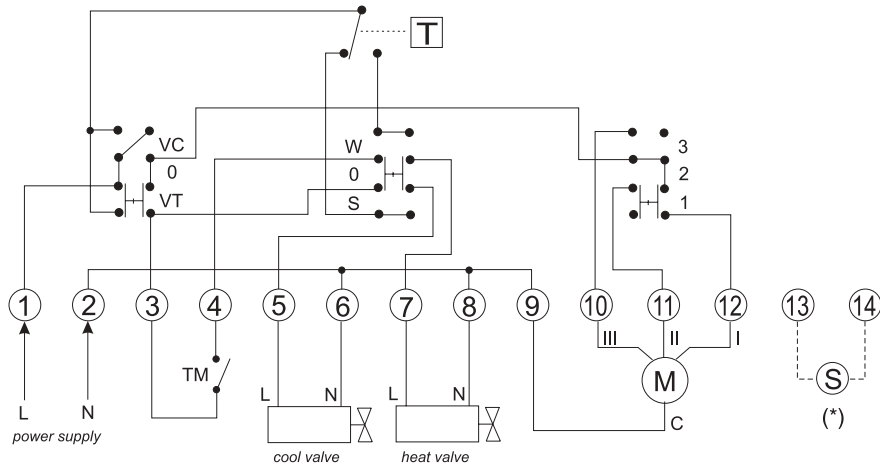
Net weight: 170 g

ELECTRICAL WIRINGS

Terminal connections for 2-pipe air conditioning and heating systems.



Terminal connections for 4-pipes air conditioning and heating systems.



Jumper setting:

- J1 closed = internal sensor
 - J2 closed = remote sensor
 - J4 closed = power supply 24 Vac, 50/60 Hz
 - J5 closed = power supply 230 Vac, 50/60 Hz
- The products are factory supplied with internal sensor and 230 Vac jumper setting.*

