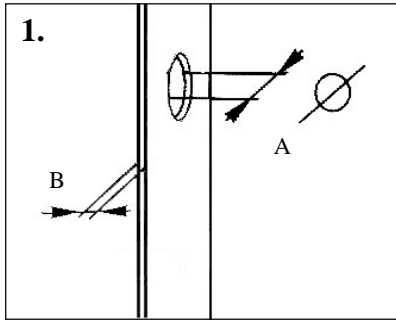


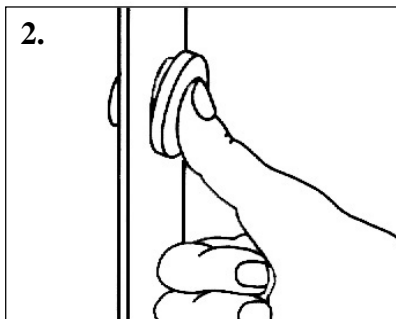
Tubing and Pitot Kit

Duct connection mounting kit for DBL-205 series air differential pressure switches.

DBZ-06



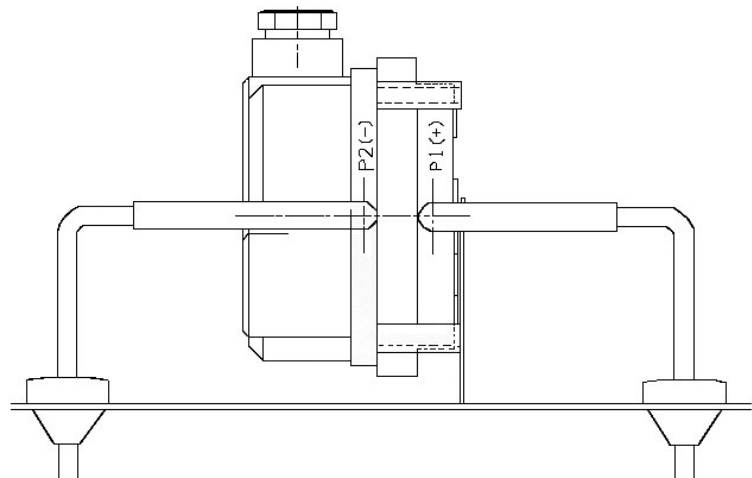
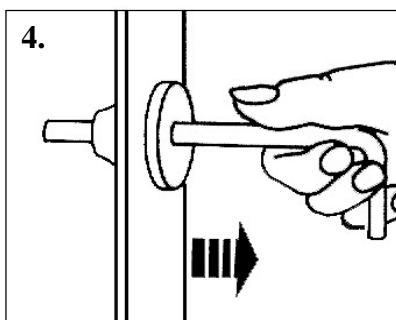
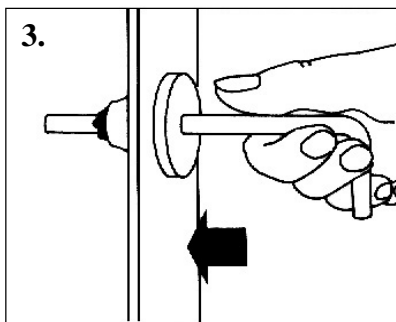
A = 0.63" (16 mm)
B = 0.04" - 0.16" (1-4 mm)



Measurements

Tubing
Pitot

6.5 ft (2.0 m)
3.94" (100 mm) x 1.6" (40 mm)



Kit includes:
Part Number

(2) pitots, (2) grommets, 6 ft tubing
DBZ-06