

Hand Positioner



FGEB

DESCRIPTION

Electronic hand positioners with working range of 0 to 10 VDC or 2 to 10 VDC.

APPLICATION

Manual remote control of any modulating (0)2-10 VDC actuators.

FEATURES

- Flush panel mount
- Optional, housing for surface mount
- Scaled 0-100% proportionally
- Signal selectable, 2-10 VDC or 0-10 VDC
- Remote override, 0 or 100% position



ISO 9001

SPECIFICATIONS

Electrical

Power supply 24 VAC/VDC or 15 VDC \pm 10%, selectable
"GA-P135/180/300-024 actuators provides 15 VDC power supply"

With 24 VAC/VDC power selection

Polarity and over current protected

Performance

Position adjustment External adjustable dial knob

Range 0-100%

Signal output 0-10 VDC, or 2-10 VDC, selectable

Power output Parallel connection up to (10) actuators, max 5 mA

Environmental

Permissible ambient

- working temperature 22°F to 122°F (30°C to 50°C)

- storage temperature 40°F to 176°F (40°C to 80°C)

- humidity 5-95% RH, non-condensing

Physical

Plate & knob ABS

- color Black, white scale

Optional housing ABS

- color Light gray

- protection NEMA 1 (IP10)

- installation Flush panel mount, optional surface mount

Wire connection Terminal block, screw type for lead wire

Wire size Min. 26 AWG (0.14 mm²), Max. 15 AWG (2.5 mm²)

Dimensions

Weight

- w/housing

Manufacturing

Listings/Approvals

Warranty

Refer to dimension section

0.13 lbs. (0.06 kg)

0.25 lbs. (0.11 kg)

ISO 9001 certified

CE

Five-year material and workmanship

(Two-year standard, three-year conditional)

ORDERING INFORMATION

FGEB-EB-5

FGEB-AB-5

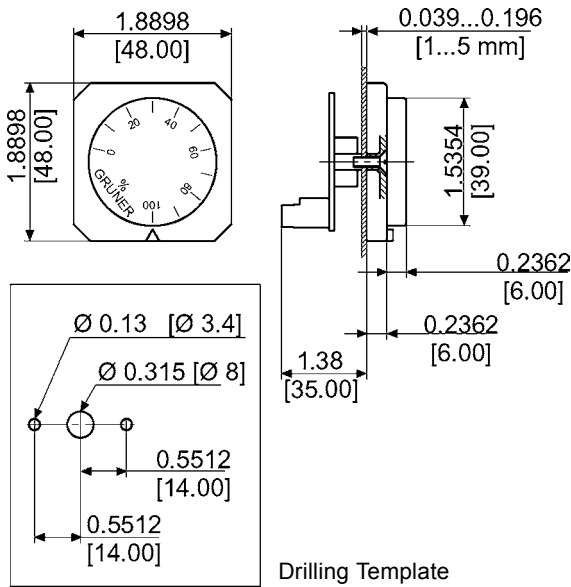
Positioner for flush panel mount

Positioner with housing for surface mount

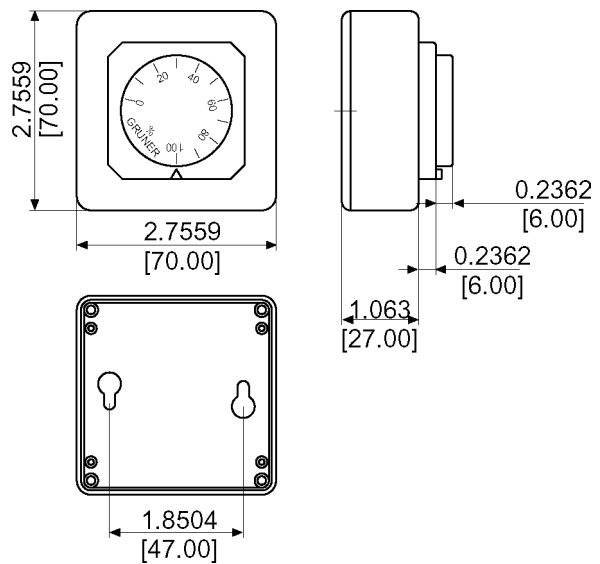
DIMENSIONS

inches (mm)

FGEB-EB-5 Panel flush mount

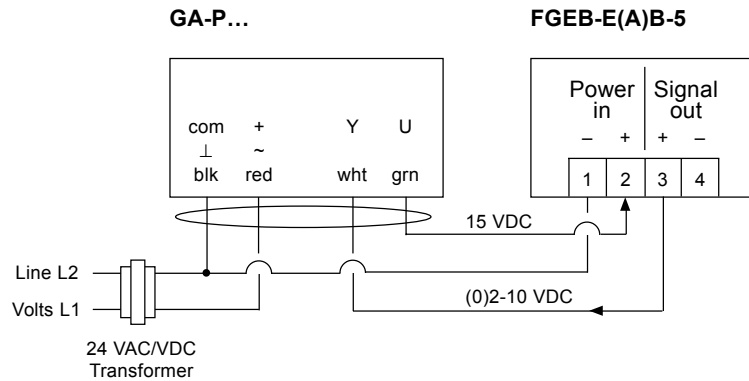


FGEB-AB-5 w/Housing, surface mount



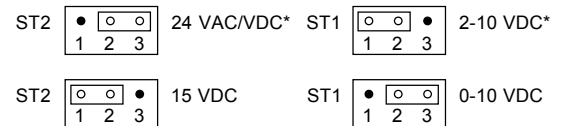
WIRING CONFIGURATION

Actuators with built-in 15 VDC power supply (i.e. GA-P135/180/300-024)

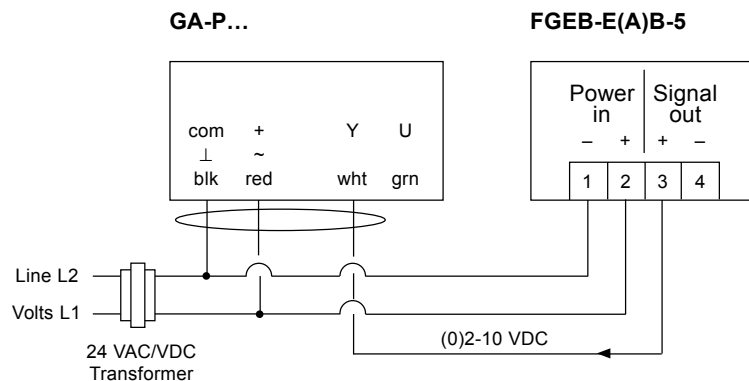


FGEB-E(A)B-5

Power and signal selection (* factory set) via jumper-pin setting:



Actuators without built-in power supply



FGEB-E(A)B-5

Remote override function
"Positioner must be selected and wired for 24 VAC/VDC power and 2-10 VDC signal"

