

Low Temperature Platinum Sensors



**I/100-LT
I/1000-LT**



Product Description

The I/100-LT and I/1000-LT Series temperature sensors incorporate a Class B, wire wound platinum RTD sensor which conforms to DIN-IEC-751 platinum RTD standards.

One of the most important features of the I/100-LT and I/1000-LT are that they use a strain-free element. This allows the sensor to have a much more stable output since the sensing element isn't subjected to the constant expansion and contraction of the encapsulation materials. The sensors are mounted in a 1/4" diameter stainless steel probe and have 24" Teflon leads. All Remote Probes have a standard 8' Teflon lead length. These sensors are compatible with all liquids and materials that are compatible with 316 Stainless Steel Materials.

The I/100-LT or I/1000-LT sensors are available in a two-wire or three-wire configuration, incorporating high accuracy and interchangeability over a wide temperature range.

Some of the typical applications are for Freezers, Chemical Plants, Fuel Processing Facilities, Meat Packing Plants, and Scientific Laboratories.

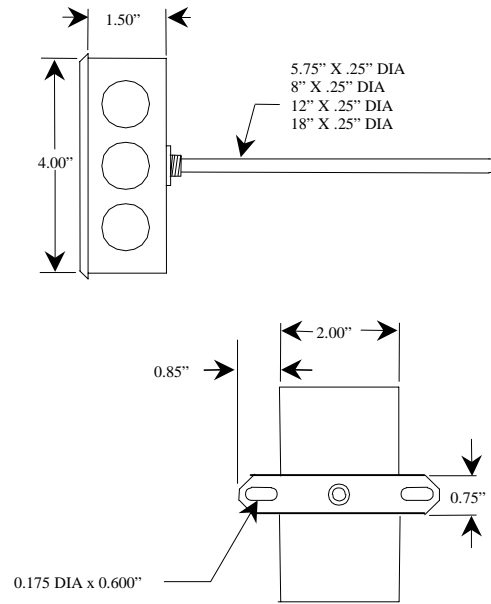
These units are offered in Duct, Duct without box, Immersion, and Remote Probe configurations.

Product Specifications

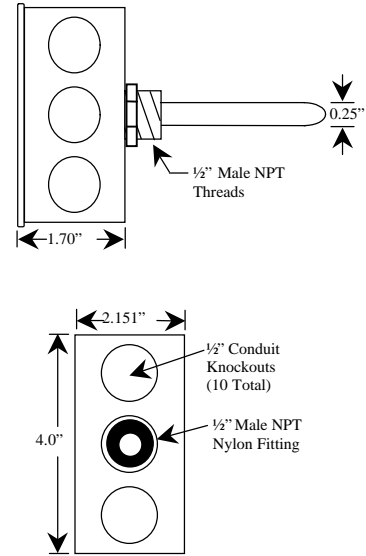
Output	100 Ohms @ 32°F (0°C) 1000 Ohms @ 32°F (0°C)	Resistance Characteristics	+/- 0.12% Class B (standard)
Temp. Coefficient	0.00385 Ohm/Ohm/°C	Repeatability	+/- 0.1°C
Temperature Span	-328 to 392°F (-200 to 200°C)	Stability	less than +/- 0.1°C drift
Accuracy	+/- 0.3°C @ 0°C single point	Standardization	DIN-IEC-751 (formerly DIN 43760)

Dimensions

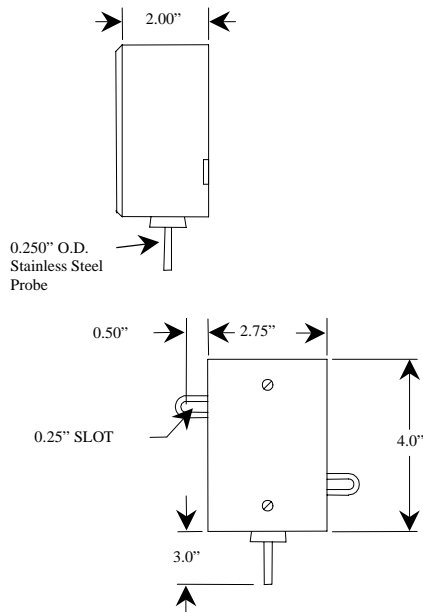
DUCT



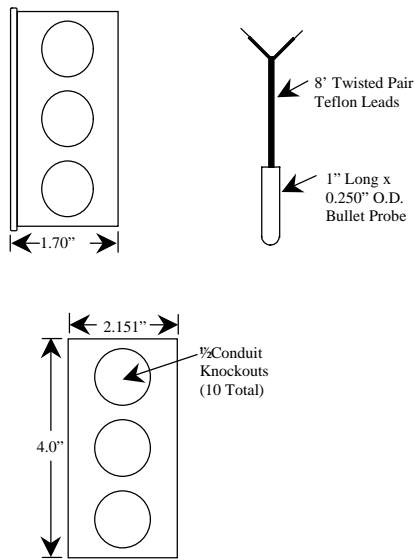
IMMERSION



OUTSIDE



REMOTE PROBE



Ordering Information

I/	Sensor []	# Wires -[]
	↑	↑
	100LT	2W (2-Wire)
	1KLT	3W (3-Wire)

Configuration
-[]
↑
D - Duct 4", 8", 12", 18"
DO - Duct without box 4", 8", 12", 18"
I - Immersion 4", 8"
RP - Remote Probe (8' leads)

Example: I/100-LT-2W-D-4" or I/1K-LT-3W-RP