

SENTRY I-200-3 & -4 Series

High Current 4-20mA Transducers

The Sentry High Current I-200-3 & -4 Series Transducers monitor up to 2000A of AC current and provide a loop-powered 4–20mA signal proportional to the monitored current.

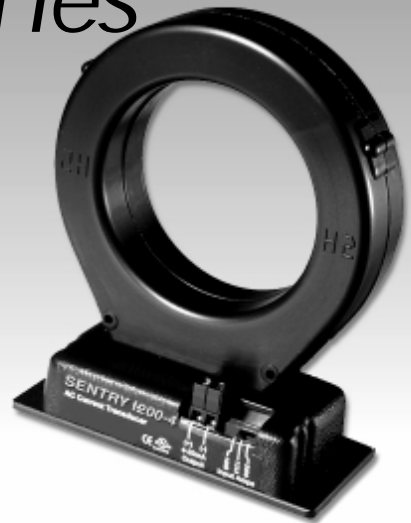
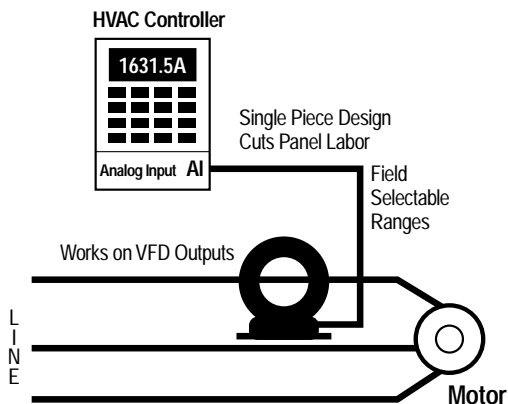


FEATURES

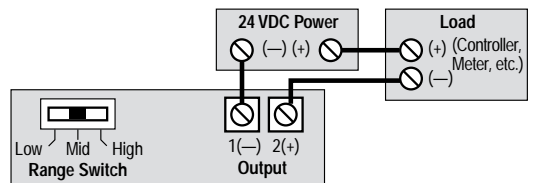
- All Frequencies**
Exclusive VFI™ (Variable Frequency Integration) technology is accurate both on sine wave and on distorted VFD waveforms.
- Large Aperture**
Accommodates large conductors or wire bundles.
- Multi-Range**
Fast, switch-selectable range setting.
No zero or span field adjustments required.
- Easy Installation**
Single piece with integral mounting brackets makes a simple, solid installation.

APPLICATIONS

- **Chillers:** Load measurement for energy savings
- **Large Pumps:** Detect dry run electronically
- **Heating Elements:** Monitoring heater load gives faster response than temperature sensors

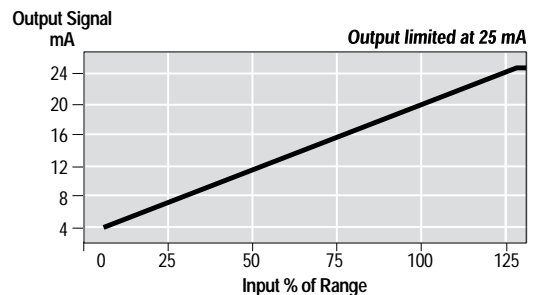


CONNECTIONS



- NOTES**
- Deadfront captive screw terminals.
 - 12–22 AWG solid or stranded.
 - Observe polarity.

SIGNAL DIAGRAM



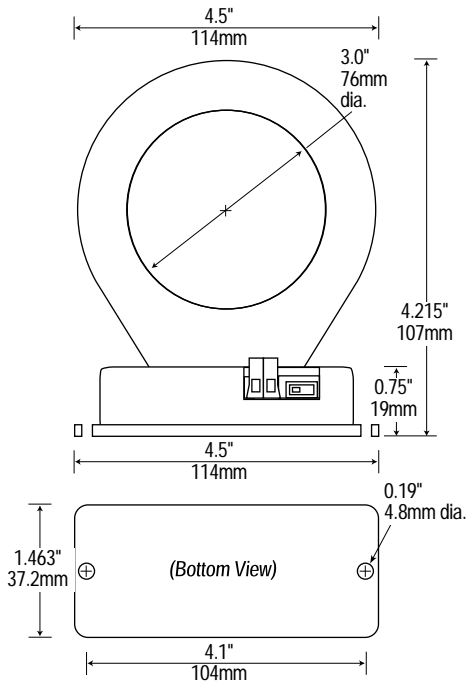
9730 Distribution Ave.
San Diego, CA 92121

Ph: 858-578-7887
Fx: 858-578-4633

Email: info@inteccontrols.com
www.inteccontrols.com

SENTRY I-200-3 & -4 Series

High Current 4-20mA Transducers



SPECIFICATIONS

Output Signal	4–20mA, loop powered
Output Limit	25mA
Accuracy	1.0% FS
Response Time	500 milliseconds to 90% of step change
Frequency	50–60Hz, sinusoidal (standard versions) 10–400Hz (VFI versions)
Supply Voltage	24 VDC nominal; 40 VDC maximum
Output Load	600 ohms max @ 24 VDC Rmax = (Vsupply – 12) / 0.020 A
Isolation Voltage . .	600 VAC
Polarity Protection	Diode protected against reversed polarity
Input Ranges	Field selectable from 0 to 2,000A
Sensing Aperture . .	3.0" (7.6 cm) ID
Case	UL 94 flammability rated thermoplastic
Weight	1.3 lb (0.6 kg)
Environmental	–4/122°F (–20/50°C), 0–95%RH, non-condensing
Approvals	UL, ULC, CE (pending)

ORDERING INFORMATION

Example: Sentry I-200-4-V

Current transducer with 4–20mA output and 0–1000/1333/2000A range with "VFI" (Variable Frequency Integration) technology.

MODEL	RANGE
-------	-------

Standard Models

I-200-3	0–375, 0–500, 0–750A
I-200-4	0–1000, 0–1333, 0–2000A

VFI Models

(for monitoring the load side of VFDs)

I-200-3-V	0–375, 0–500, 0–750A
I-200-4-V	0–1000, 0–1333, 0–2000A

MAXIMUM AC CURRENT

MODEL	RANGE	MAX. CONTIN.	MAX. 6 SEC.	MAX. 1 SEC.
I-200-3	0–375/500/750A	750A	1500A	3750A
I-200-3-V	0–375/500/750A	750A	1500A	3750A
I-200-4	0–1000/1333/2000A	2000A	4000A	10,000A
I-200-4-V	0–1000/1333/2000A	2000A	4000A	10,000A



9730 Distribution Ave.
San Diego, CA 92121

Ph: 858-578-7887
Fx: 858-578-4633

Email: info@inteccontrols.com
www.inteccontrols.com