

SENTRY I-250, I-SC250 Series

Current Operated Switches

The Sentry I-250, I-SC250 Series Current Switches monitor up to 250 amps AC and provide an AC/DC switch with either a fixed set point (go/no-go) or an adjustable set point. They offer proven reliability and solid performance in both solid core and split core configurations.



FEATURES

Reliability

Field-proven in hundreds of thousands of installations since 1982. Solid performance even in rooftop environments. Backed by five-year warranty.

Convenience

Compact size, built-in mounting bracket, and universal output mean that installation is simple, fast and secure. You save money and avoid callbacks. The split core version simplifies retrofits.

“Smart” LED

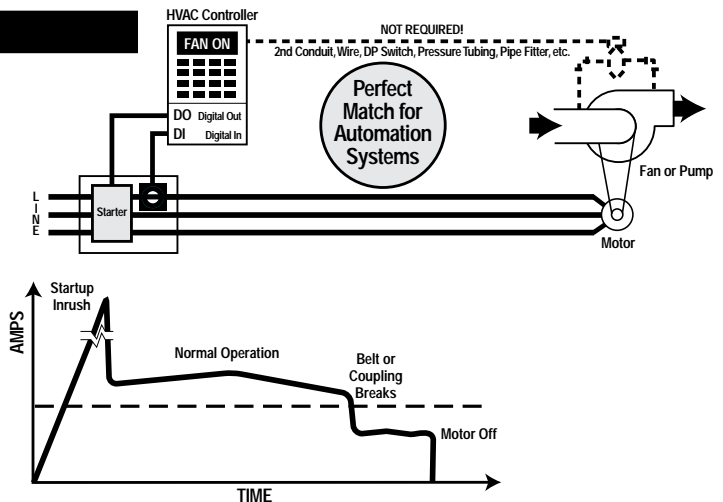
Easily adjust set point and verify operation even before system hookup. (See Ordering Information for availability.)

Self-Powered

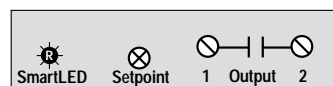
Cuts installation and operating costs.

APPLICATIONS

- Monitor fan and pump status
- Monitor heating elements
- Monitor lighting circuits
- Verify status of facility or equipment power
- Direct control of light loads, such as lamps and relays



CONNECTIONS



Typical of I-250/I-SC250
No LED on I-245/I-SC245



Typical of I-225/I-SC225

NOTES

- Terminals are #6 screws.
- Solid state AC/DC switch is not polarity sensitive.
- Normally open contact shown. Normally closed is similar.



9730 Distribution Ave.
San Diego, CA 92121

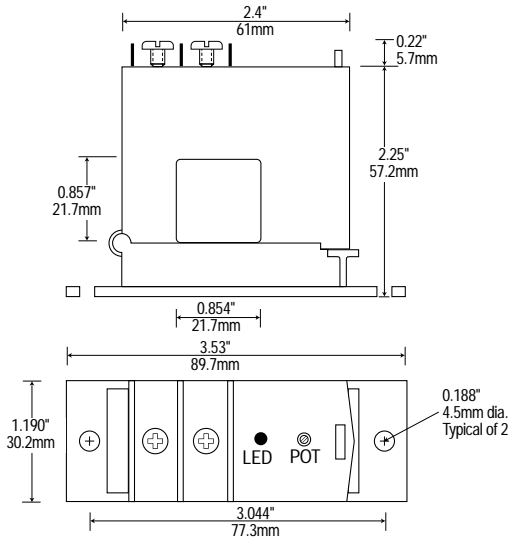
Ph: 858-578-7887
Fx: 858-578-4633

Email: info@inteccontrols.com
www.inteccontrols.com

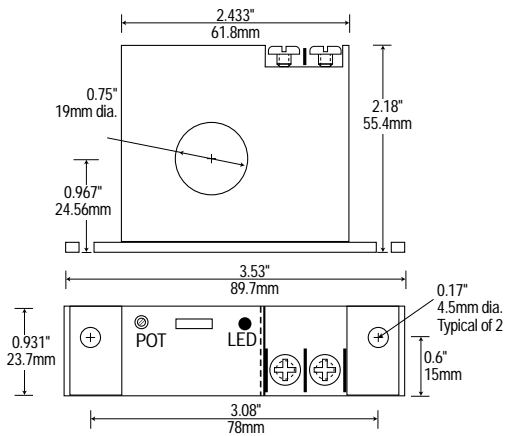
SENTRY I-250, I-SC250 Series

Current Operated Switches



Split Core



Solid Core



SPECIFICATIONS

Power Requirement . . .	None, self-powered			
Output	Magnetically Isolated Solid State Switch			
Switch Rating	N.O. versions: 0.3A @ 135 VAC or VDC N.C. version: 0.2A @ 135 VAC or VDC Not polarity sensitive			
Off State Leakage	None			
Response Time	<120 milliseconds			
Set Point Range	See Ordering Information			
Hysteresis	5% of set point			
Max Current		Continuous	6 Sec	1 Sec
	I-225/I-SC225	250A	500A	1,000A
	Other models	150A	400A	1,000A
Isolation Voltage	UL Listed to 1,270 VAC, tested to 5kV			
Frequency Range	6–100Hz			
Sensing aperture	0.75" (19mm) diameter (solid core) 0.85" (21.5mm) square (split core)			
Case	UL 94V-O Flammability Rated			
Environmental	–58 to 149°F (–50 to 65°C) 0–95% RH, non-condensing			
Approvals	UL, ULC, CE  			

OUTPUT TABLE

CONDITION	SMART LED	N.O. SWITCH	N.C. SWITCH
No Current Flowing	Off	Open	Closed
Current Below Set Point	Slow Flash (2 Sec)	Open	Closed
Current Above Set Point	Fast Flash (0.5 Sec)	Closed	Open

Need an interposing relay? See the new PowerBASE Relay I-PBR.

ORDERING INFORMATION

MODEL	SET POINT RANGE	N.O./N.C.	LED	CASE
I-225	Fixed, 1A	N.O.	No	Solid Core
I-245	1–150A	N.O.	No	Solid Core
I-250	1–150A	N.O.	Yes	Solid Core
I-SC225	Fixed, 1.5A	N.O.	No	Split Core
I-SC245	1.5–150A	N.O.	No	Split Core
I-SC250	1.5–150A	N.O.	Yes	Split Core
I-SC250-NC	1.5–150A	N.C.	Yes	Split Core



9730 Distribution Ave.
San Diego, CA 92121

Ph: 858-578-7887
Fx: 858-578-4633

Email: info@inteccontrols.com
www.inteccontrols.com