

Product Data

I-34 Series
Temperature
Sensor

Product Description

The I-34 Series semiconductor type temperature sensors provide accurate temperature measurement that is linear and proportional to Degrees Fahrenheit.

The I-34 Series provides a -400 to 2300 mV output throughout the temperature range of -40 to 230°F.


These units are offered in Room, Room with Set Point, Room with Override, Room with Setpoint and Override, and Room w/ Setpoint, and Override, Duct and Duct without Box, Immersion, Stainless Plate, Raw, Strap-On, Bullet Probe, Button Sensor, and Outdoor Air Configurations.

All INTEC Room sensors may be ordered with an optional setpoint (see chart on the following page) or override.

Product Specifications

Supply Voltage	+5 to 30 VDC
Output	-3 wire, -400 to 2300 mV
Accuracy	+/- 1.0°F @ 77°F (+/- 0.55°C @ 25°C)
Temperature Range	-40 to 230°F (-40 to 110°C)
Temperature Coefficient	10 mV/°F or 18 mV/°C
For sensors with Display option, see the LCD Series cut sheet	

Semiconductor



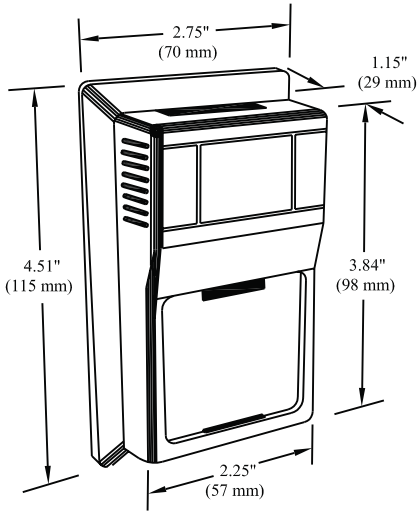
Attributes

- System Specific Sensor
- mV output equal to °F

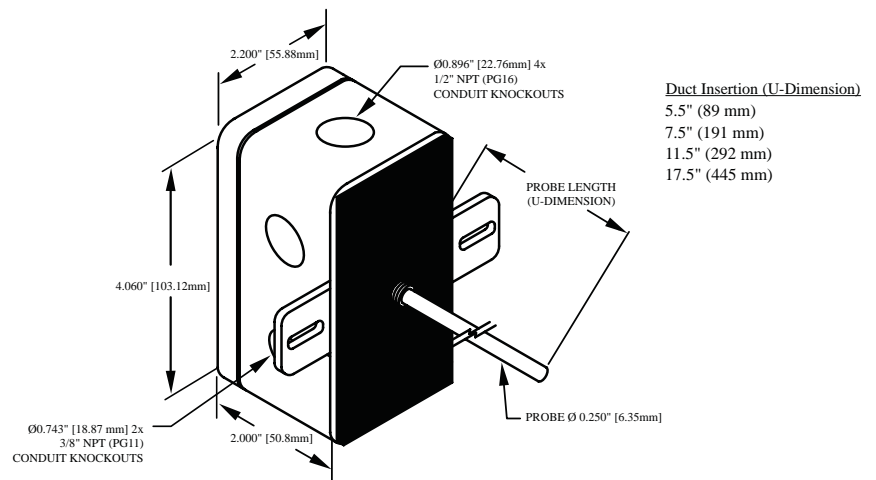
Applications

- OEM / Industrial
- Light Industrial
- DDC Systems

Room

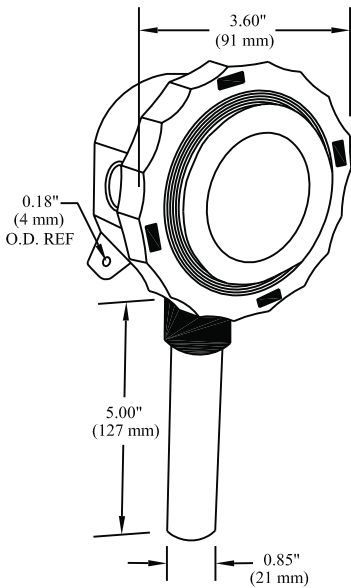


Duct

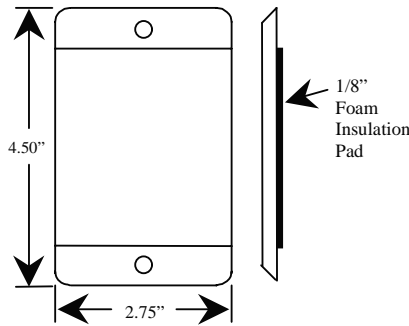


Duct Insertion (U-Dimension)
 5.5" (89 mm)
 7.5" (191 mm)
 11.5" (292 mm)
 17.5" (445 mm)

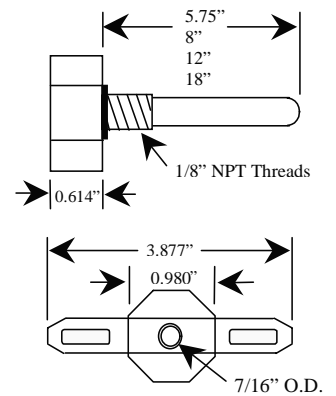
Outside Air



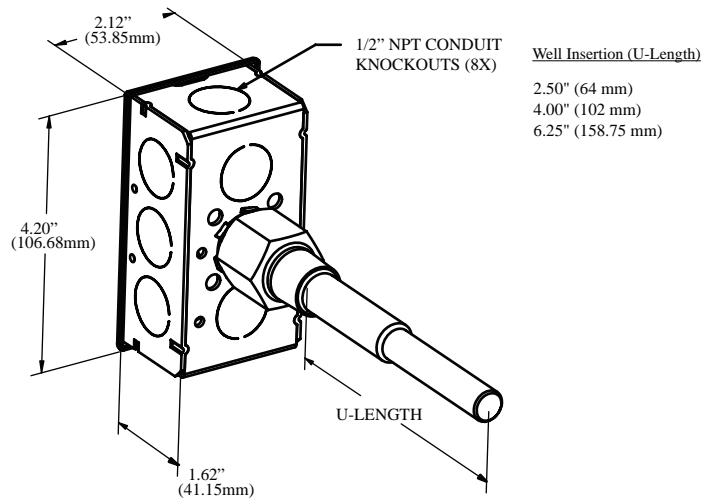
Stainless Plate



Duct without Box

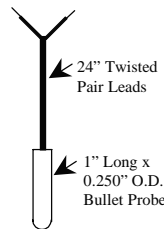


Immersion

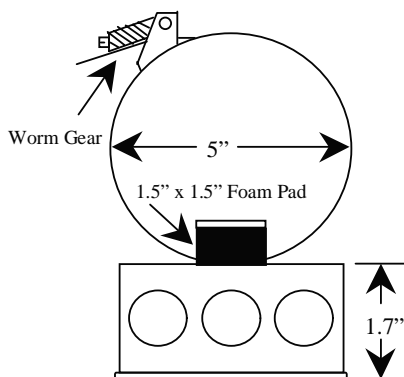


Well Insertion (U-Length)
 2.50" (64 mm)
 4.00" (102 mm)
 6.25" (158.75 mm)

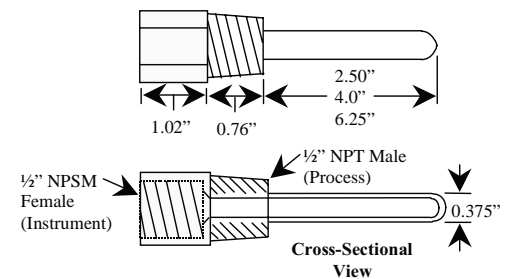
Bullet Probe



Strap-On



Thermowell



Cross-Sectional View

Ordering Information

Sensor
I- []
 ↑
34

Configuration
 -[]
 ↑
R - Room
RS - Room w/ Setpoint***
RO - Room w/ Override
RSO - Room w/ Setpoint & Override***
D - Duct 4", 8", 12", 18"
DO -Duct without box 4", 8", 12", 18"
I - Immersion 2.5", 4", 6"
S - Strap On
O - Outdoor Air
SP - Stainless Plate
BP - Bullet Probe
W - Raw
W-6' - Raw Sensor w/6'Leads

Display¹
 -[]
 ↑
 () No Display
 (Standard)
 (L) LCD Display
 (Degrees F)
 (LC) LCD Display
 (Degrees C)

Housing Type²
 -[]
 ↑
 Add-On Options
 (BB) NEMA 3R
 (4X) NEMA 4X

¹These Options are only available on INTEC's Room Configurations.

²Standard Housing Types:

- Plastic Housing for Duct sensors
- Galvanized Junction Box for Immersion and Strap-On sensors

Add-on option (BB) NEMA 3R housing is not available for Strap-On sensors

RS / RSO*** setpoint adjuster option requires additional ordering decisions for the following:

Pot Value ¹	Setpoint Indicator ¹	Pot Action ¹
-[]	-[]	-[]
↑	↑	↑
400	Cool Warm	DA (Direct)
1K	55 to 85	RA (Reverse)
2K	10 to 30° C	
3K		
5K		
8.5K		
10K		
20K		
100K		