

SENTRY "Smart" I-500, I-SC500 Series Self-Calibrating Current Operated Switches

The Sentry I-500, I-SC500 Series Current Switches monitor up to 150 amps AC and provide an auto-setting AC/DC switch configured either for "over/under" monitoring or for underload monitoring. They offer proven reliability and solid performance in both solid core and split core configurations.



FEATURES

Fastest Installation

Simply run the monitored conductor through the aperture, connect wires to the switch contacts, and walk away. Automatically self-calibrates on initial startup. Easily clear and reset if the application changes. Self-powered for additional savings in wire and time.

Flexibility

The "over/under" configuration trips with either a 15% underload or a 15% overload. The "underload" configuration trips only when current falls 15% below the operating load. The split core version simplifies retrofits.

Reliability

Field-proven in hundreds of thousands of installations since 1982. Solid performance even in rooftop environments. Backed by five-year warranty.

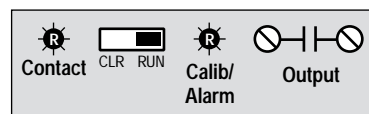
"Smart" LED's

Two LED's provide quick visual confirmation of switch and calibration status.

APPLICATIONS

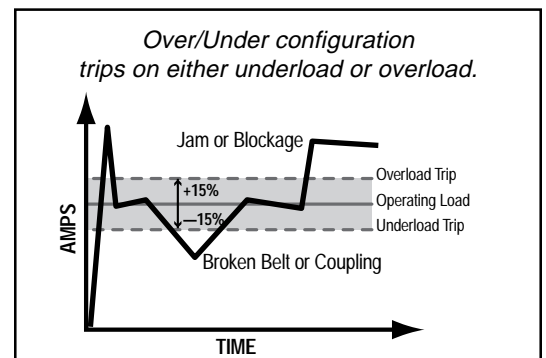
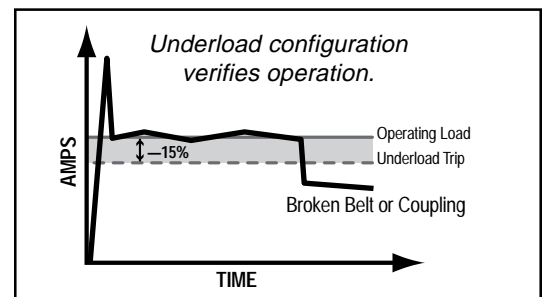
- Monitor fan and pump status
- Monitor heating elements
- Verify status of facility or equipment power
- Direct control of light loads, such as lamps and relays

CONNECTIONS



NOTES

- Terminals are #6 screws.
- Solid State AC/DC Switch is not polarity sensitive.



9730 Distribution Ave.
San Diego, CA 92121

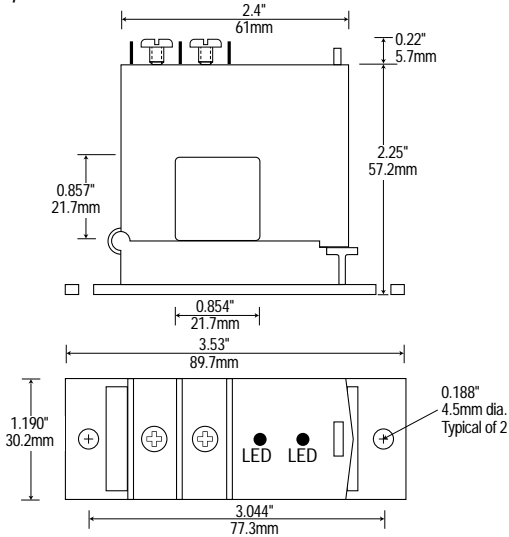
Ph: 858-578-7887
Fx: 858-578-4633

Email: info@inteccontrols.com
www.inteccontrols.com

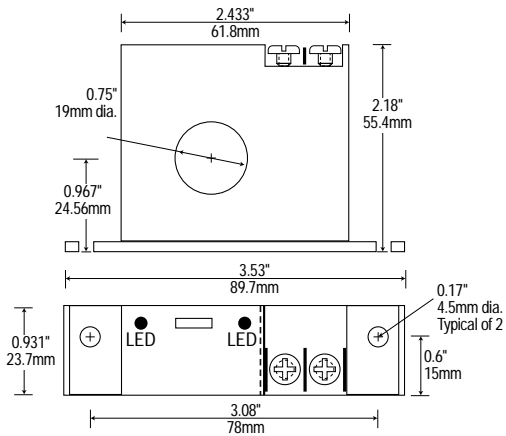
SENTRY "Smart" I-500, I-SC500 Series

Self-Calibrating Current Operated Switches



Split Core



Solid Core



SPECIFICATIONS

Power Requirement	None, self-powered
Output	Magnetically Isolated Solid State Switch, N.O.
Switch Rating	0.3 A @ 135 VAC or VDC, no polarity
Off State Leakage	None
Response Time	<200 milliseconds
Set point Range	1.5–150A (solid core) 2.8–150A (split core)
Set Point	Over/Under: $\pm 15\%$ of load Underload: -15% of load
Hysteresis	5% of set point
Maximum Current	150A continuous 500A for 6 seconds 1,000A for 1 second
Isolation Voltage	UL Listed to 1,270 VAC Tested to 5,000 VAC
Frequency Range	6–100Hz
LED Indicators	Two, for switch and calibration status
Sensing Aperture	0.75" (19mm) diameter (solid core) 0.85" (21.5mm) square (split core)
Case	UL 94V-O Flammability Rated
Environmental	-58 to 149°F (-50 to 65°C) 0–95% RH, non-condensing
Approvals	UL, ULC, CE  

Need an interposing relay? See the new PowerBASE Relay I-PBR.

ORDERING INFORMATION

MODEL	SET POINT	CASE
I-500	Over/Under, $\pm 15\%$ of load	Solid Core
I-SC500	Over/Under, $\pm 15\%$ of load	Split Core
I-500-U	Underload, -15% of load	Solid Core
I-SC500-U	Underload, -15% of load	Split Core



9730 Distribution Ave.
San Diego, CA 92121

Ph: 858-578-7887
Fx: 858-578-4633

Email: info@inteccontrols.com
www.inteccontrols.com