

## Product Data

### I-CTE Series

Solid-Core 0-5VDC  
Output Current Sensor

### I-CTV Series

Solid-Core 0-10VDC  
Output Current Sensor

## Current



## Product Description

The I-CTE and I-CTV Series current sensors monitor the current flowing to electrical equipment or buildings. The magnitude of this current is then converted into a linear 0 to 5 or 0 to 10 VDC output signal, which can be monitored by your Building Management, DDC, or PLC controller. All of these sensors have jumper selectable input ranges except for the 0 to 5 Amp input range.

The I-CTE and I-CTV series current sensors are fast acting and extremely accurate from 2% or 5% up to 100% of the Full Scale Output depending on the model being ordered. All of the I-CTE and I-CTV series current sensors are factory calibrated using an NIST Traceable standard and shipped with the jumper placed on the largest jumper selectable range.

The power for the I-CTE and I-CTV series current transmitter is induced from the conductor being monitored. This means that no external power supply is necessary for the installation of these sensors.

### Attributes:

- Fast response time
- Integral 35mm Din-rail mounting flange
- Rated up to 250 Amps
- Limited 5 year warranty
- Induced Power
- UL94-5VB (enclosure rating)

### Applications:

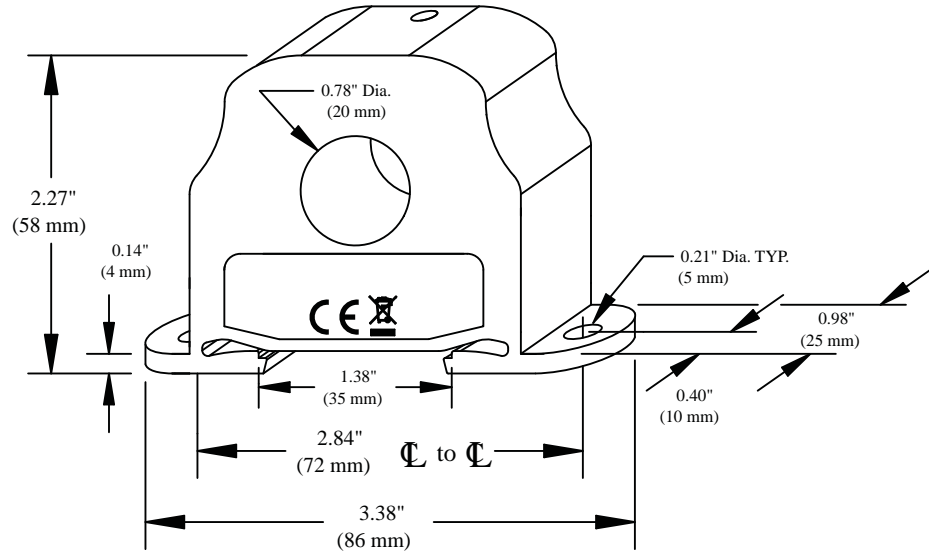
- Load Trending Equipment (current monitoring)
- Monitoring Building loads
- Rated for industrial use

## Product Specifications

<b>Sensor Power</b>	Induced from monitored conductor
<b>Output Voltage</b>	<b>I-CTE Series:</b> 0 to 5 VDC <b>I-CTV Series:</b> 0 to 10 VDC
<b>Amperage Ranges</b>	0 to 250 Amps (See ordering information)
<b>Accuracy</b>	<b>I-CTE:</b> +/- 1.0% (2 to 100% FSO) <b>I-CTV:</b> +/- 1.0% (5 to 100% FSO)
<b>Response Time</b>	<b>I-CTE:</b> < 100 mS <b>I-CTV:</b> < 100 mS
<b>Operating Frequency Range</b>	50 to 600 Hz
<b>Isolation Voltage</b>	2,200 VAC
<b>Max. Sensing Current Voltage</b>	600 VAC
<b>Aperture (Hole) Size</b>	0.75", Accepts up to 350 MCM Cables
<b>DIN Rail Size</b>	35mm
<b>Operating Temperature Range</b>	-15 to 40°C (5 to 104°F)
<b>Operating Humidity Range</b>	0 to 95% RH, non-condensing
<b>Enclosure Rating</b>	UL94-5VB

# Dimensions

## Solid-Core



## Ordering Information

INTEC Model #	Description	Jumper Selectable Ranges
I-CTE-50	Solid-Core, 0 to 5 VDC Output	0-10, 0-20, 0-50 Amps
I-CTE-250	Solid-Core, 0 to 5 VDC Output	0-100, 0-200, 0-250 Amps
I-CTV-50	Solid-Core, 0 to 10 VDC Output	0-10, 0-20, 0-50 Amps
I-CTV-250	Solid-Core, 0 to 10 VDC Output	0-100, 0-200, 0-250 Amps

 **Warning:** Not intended to be used in Life & Safety Applications or for use in any hazardous locations.