

## Product Data

### I-GP Series Gage Pressure Transducer

## Gage Pressure



### Product Description

The I-GP is a two-wire, 4-20 mA gage pressure transducer. These units have been designed to provide excellent accuracy and reliability in commercial, industrial, and process control applications.

The I-GP pressure transducers are compatible with a wide range of gases and liquids. They are available in ranges from 0 to 15 PSIG up to 0 to 3000 PSIG. Other options and ranges may be available upon request and might have a minimum order quantity.

All units are accurate to +/- 0.5% or +/- 1% of full scale. The I-GP pressure transmitter offers a combined repeatability, hysteresis, and non-linear factor that is typically below +/- 0.15% of full scale. The I-GP pressure transducers are both EMC compliant and Reverse Polarity Protected.

The pressure port is a 1/4"-18 NPT Male fitting made of 304L stainless steel. Each unit is approximately 2.60" inches long and weighs approximately .206lbs (.093Kg). A 2' shielded cable is supplied for making all of the proper connections. All of the transducers may also be ordered mounted in an optional NEMA 4 rated enclosure.

### Product Specifications

<b>Supply Voltage</b>	+8-30VDC
<b>Output Signal</b>	4 to 20mA
<b>Accuracy</b> (Non-linearity, Hysteresis, Repeatability)	75 to 3000 psi: +/- 0.5% of FSO 15 to 60 psi: +/- 1.00% of FSO
<b>Thermal Error</b>	75 to 3000 psi: +/- 0.5% of FSO 15 to 50 psi: +/- 1.00% of FSO
<b>Stability</b>	+/-1% FS
<b>Operating Temp. Range</b>	-40 to 221°F (-40 to 105°C)
<b>Response Time</b>	< 1ms
<b>Burst Pressure</b>	3X Full Scale
<b>Proof Pressure</b>	3X Full Scale
<b>Process Fitting</b>	1/4"-18NPT Male 304L Stainless Steel
<b>Case</b>	304L Stainless Steel
<b>EMC Compliance</b>	100 V/M
<b>Weight</b>	< 0.206 lbs. (0.093Kg)

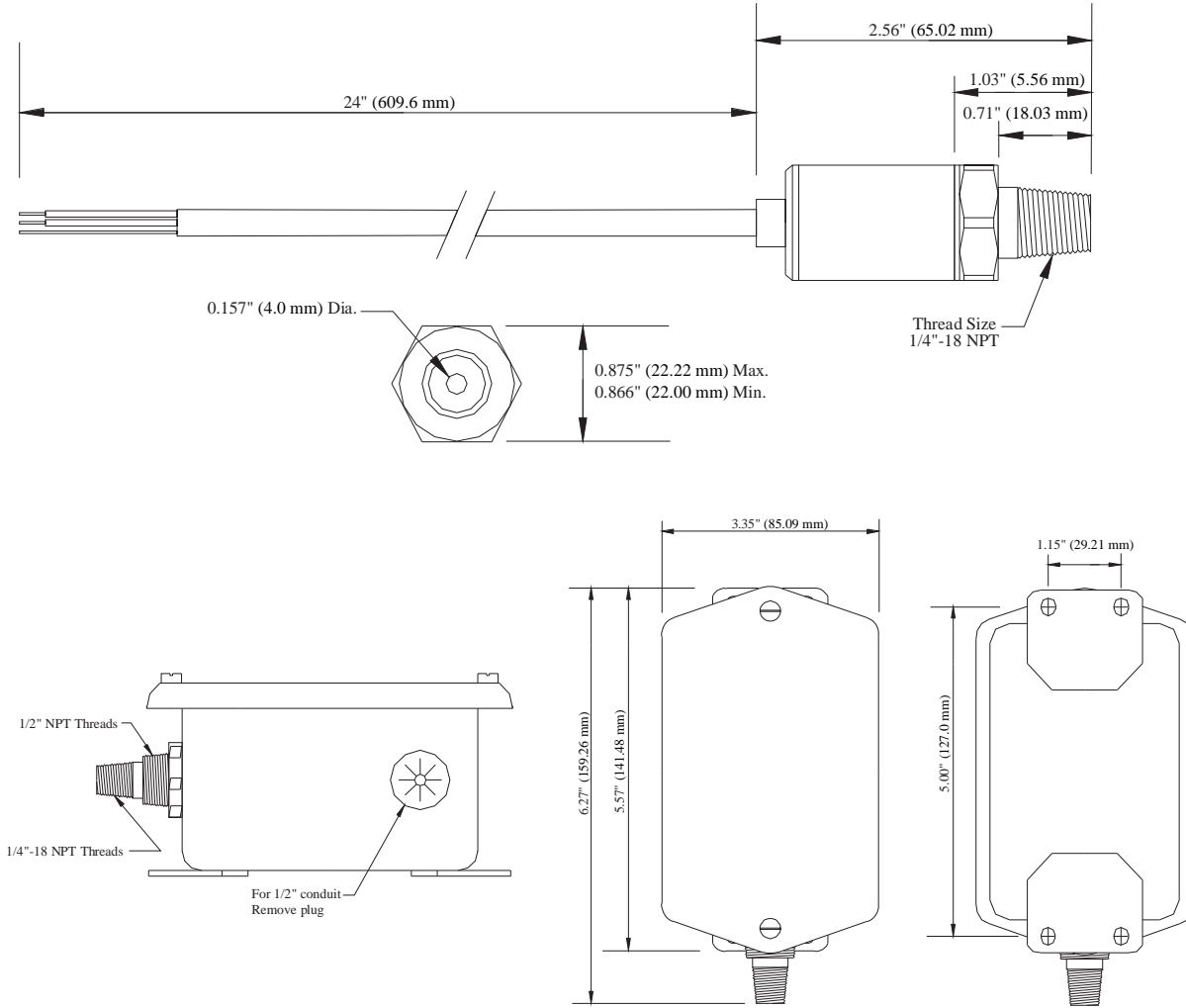
#### Attributes:

- +/-1% FS Accuracy entire operating Temp. range
- Laser-welded stainless steel design (No O-Rings)
- Compatible with wide range of gases and liquids
- CE compliant

#### Applications:

- HVAC and Refrigeration Equipment
- Pump and Compressor Control
- Industrial Equipment
- Hydraulic Systems
- Level Depth Instrumentation
- Process Control

# Dimensions



# Ordering Information

Pressure Range	Enclosure Option	Output Signal
I-GP - [ ]	- [ ]	- [ ]
(15) 0-15 psig	( ) No NEMA 4 Enclosure (Std)	(20) 4 to 20mA
(50) 0-50 psig	(4) Mounted in NEMA 4 Enclosure(Optional)	
(100) 0-100 psig		
(200) 0-200 psig		
(300) 0-300 psig		
(500) 0-500 psig		
(1000) 0-1000 psig		
(1500) 0-1500 psig		
(2000) 0-2000 psig		
(3000) 0-3000 psig		

**Example:** I-GP-50-20 or I-GP-50-4-20 or I-GP-50-20 or I-GP3000-4-20