

SENTRY I-HD100 Series

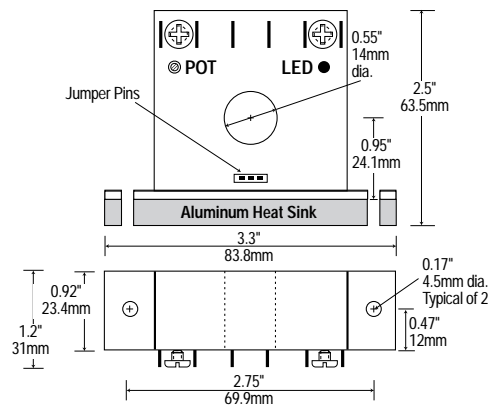
Current Operated High Power AC Switch

Sentry I-HD100 Current Switches will directly control an AC power load up to 15A at 120VAC or 10A at 240VAC. The switch trips when the sensed AC current exceeds the adjustable set point. It is self-powered and available with either a normally open or a normally closed switch.

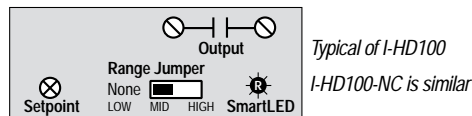


FEATURES

- Switches 15A**
Directly control AC loads.
- One-piece Interlock Solution**
Greatly simplify control logic.
- Reliability**
Field-proven. Five-year warranty.



CONNECTIONS



- NOTES**
- Terminals are #6 screws.
 - Solid State AC Switch is not polarity sensitive.
 - Normally open contacts shown. Normally closed is similar.

ORDERING INFORMATION

MODEL	SET POINT RANGE	N.O./N.C.	LED	CASE
I-HD100	1-6, 6-40, 40-175A	N.O.	Yes	Solid Core
I-HD100-NC	1-6, 6-40, 40-175A	N.C.	No	Solid Core

SPECIFICATIONS

- Power Requirement** None, self-powered
- Output** Isolated Solid State Relay
- Switch Rating** 15A at 120VAC, 10A at 240VAC (mounted to 1 sq. ft. sheet metal) No polarity
- Off State Leakage** . . . 0.0 mA (HD100)
2.3 mA (HD100-NC)
- Response Time** 10 to 230 milliseconds
- Set Point Range** 1-6, 6-40, 40-175A, jumper selectable
- Hysteresis** 0.01A, 0.1A, 0.5A (at low, mid, high ranges)
- Isolation Voltage** UL Listed to 1,270 VAC Tested to 5,000 VAC
- Frequency Range** 6-100Hz
- Sensing Aperture** 0.55" (19mm) diameter
- Case** UL 94V-O Flammability Rated
- Environmental** -58 to 149°F (-50 to 65°C)
0-95% RH, non-condensing
- Approvals** UL, ULC, CE

MAXIMUM AC CURRENT

RANGE	JUMPER	MAX. CONT.	MAX. SEC.	MAX. 1 SEC.
1-6A	None	200A	400A	600A
6-40A	Mid	150A	500A	800A
40-175A	High	210A	800A	1200A

OUTPUT TABLE

CONDITION	LED (I-HD100 only)	I-HD100 SWITCH	I-HD100-NC SWITCH
No Current Flowing	Off	Open	Closed
Current Below Set Point	Slow Flash (2 Sec)	Open	Closed
Current Above Set Point	Fast Flash (0.5 Sec)	Closed	Open



9730 Distribution Ave.
San Diego, CA 92121

Ph: 858-578-7887
Fx: 858-578-4633

Email: info@inteccontrols.com
www.inteccontrols.com