

LCD Indicators



I/LCD



Product Description

The I/LCD is a low power, high accuracy, 3.5 digit LCD display module. The display can be calibrated to show any range between (-) 1999 and 1999 and has factory set descriptors which include C, F, mA, and a decimal point.

Another notable feature of the I/LCD is its wide operating temperature range of 0 to 70°C (32 to 158°F).

The I/LCD is available as a wall mount room unit, which may incorporate any I/sensor and is available with setpoint, override, and RJ11 or RS232 communication options. A separate 2 pole terminal block will be included for Tenant override.

The setpoint options include a linear 400 Ohm, 1K, 2K, 5K, 8.5K, 10K, 20K, or 100K potentiometer. An optional series resistor allows for any offset of the setpoint potentiometer. The setpoint labels available are Cool|Warm, 55 to 85, and 10 to 30°C.

The I/LCD may be powered with either +24 VAC or +8 to 35 VDC, since it uses a half-wave bridge to convert the AC voltage to a useable DC voltage.

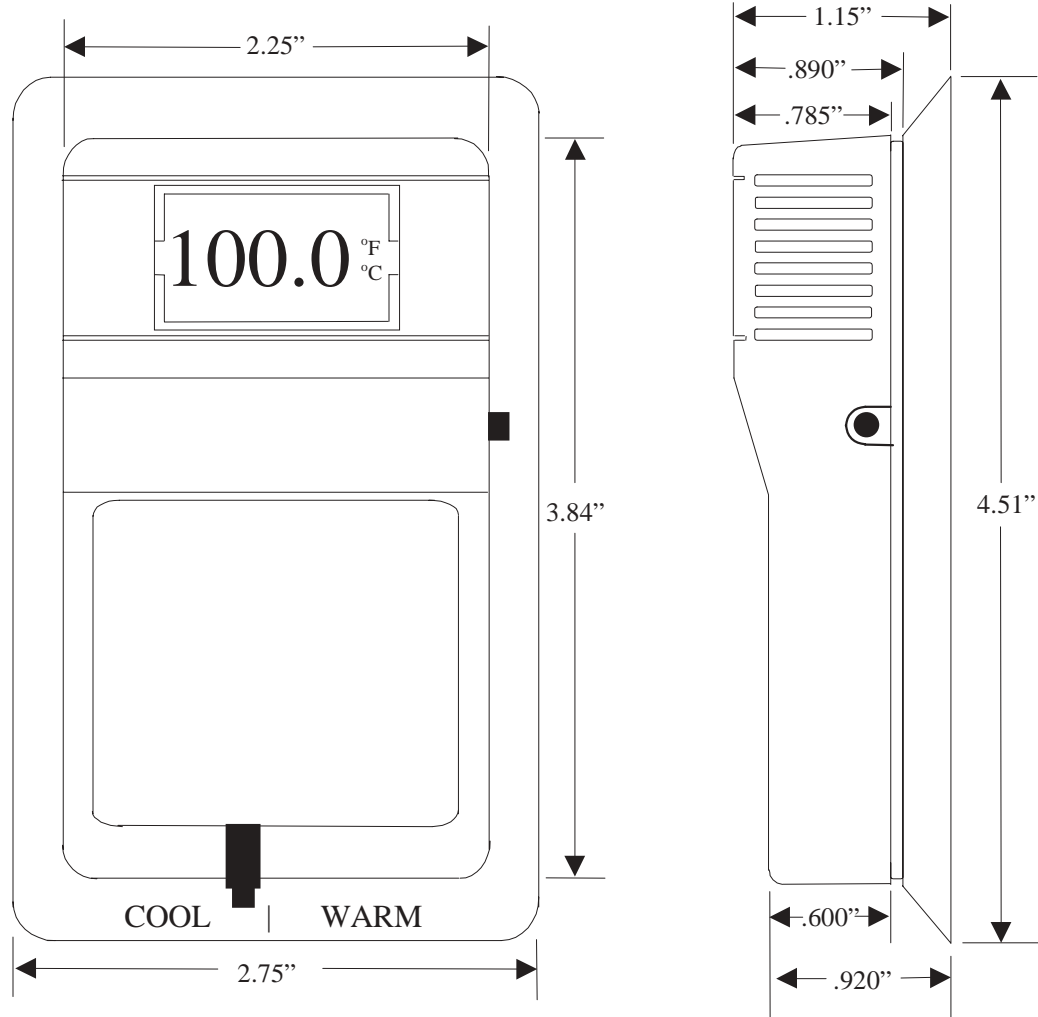
The heart of the I/LCD temperature reference is a precision, semiconductor type temperature sensor calibrated to +/- 0.2°F accuracy. The +/- 0.2°F high accuracy unit is calibrated to an NIST Traceable thermometer.

Product Specifications

Input	2-wire external power & 2-wire sensor	Display Accuracy	+/- 0.2°F for I/LCD
Supply Voltage	+8 to 35 VDC or +24 VAC	Display Operating Range	32 to 158° F (0 to 70°C)
Current Draw	Less than 4 mA	Sensor	Please Specify
Life Expectancy	100,000 hours or 11.5 years		

Dimensions

Room



Ordering Information

I/LCD	Sensor	Configuration	Communication Jacks	Pot Action	Pot Value	Setpoint Indication
↑	↑	↑	↑	↑	↑	↑
LCD Display	100 1K 3K ASI (3K-ASI) AN (10K-AN) CP (10K-CP) CSI (10K-CSI) 20K 100K	R - Room RS - Room w/ Setpoint RO - Room w/ Override RSO - Room w/ Setpoint & Override	RJ6 (RJ11 6 Pin) 232 (RS232)	DA (Direct) RA (Reverse)	400 Ohm 1K 2K 5K 8.5K 10K 20K 100K	Cool Warm 55 to 85 10 to 30°C Specify Range

Example: I/D-AN-RSO-RJ6-DA-20K-Cool Warm or I/D-CP-RSO-232-RA-10K-55 TO 85