

I-SHB/I-SLB120-75
INDOOR/OUTDOOR STROBE/
HORN/STROBE COMBINATION



- Unit by itself is UL Listed for outdoor use
- Low current consumption
- Wide operating voltage range
- AWG #18 lead wire connection
- Mounts to KSBX-1 outdoor box or KSBP-1 plastic mounting plate (optional)
- FIRE decal included
- Available in red or gray housing
- Available in clear lens only

The I-SLB and I-SHB offer a slim look with a stylish round strobe. The I-SLB and I-SHB strobes and strobe/horns are listed indoor or outdoor applications and are completely sealed units. The colored coded flying leads provide a simple connection of one or multiple devices. The strobe/horn combinations are selectable with either a continuous or ANSI Temporal 3 output. These strobes are used in various applications such as Mass Notification, Severe Weather Warning, Machine Operation, Industrial Detection Systems, Access Control, and many, many, more. These devices are UL listed for general signaling (UL 1638). The bodies of the strobes are available in red or gray. The strobes are designed for 120 VAC, however will operate anywhere between 96 and 132 VAC.

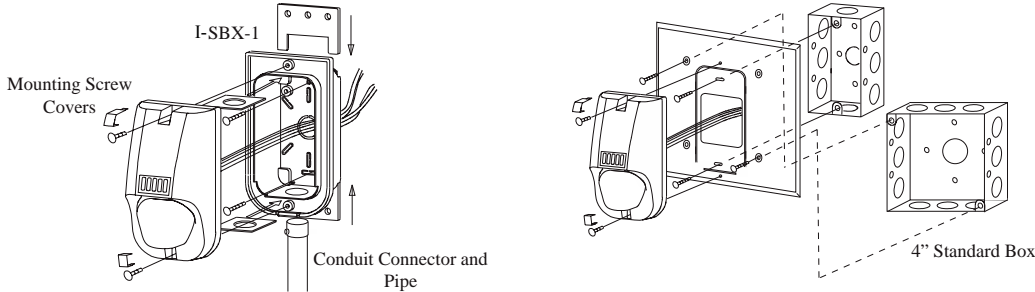
Ordering Information

Model Number	Housing Color	Input Voltage	Operating Voltage Range	Light Output	Flash Rate	Installation	Mounting Type	Operating Temperature Range
I-SHB120-75C	Red	120V AC	96-132V AC	100 cd	75 times/ min.	Indoor/ Outdoor	Wall Mount	-40°F - 150°F (-40°C - 66°C)
I-SHB120G-75C	Gray							
I-SLB120-75C	Red							
I-SLB120G-75C	Gray							

Engineering Specifications

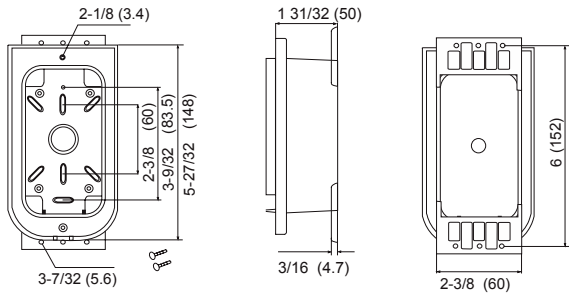
The Amseco I-SLB120 strobe or I-SHB120 strobe/horn shall be provided for visual (and audible with I-SHB) notification. The device shall be completely sealed and listed for both indoor and outdoor installations. For outdoor installations, the I-SBX-1 back box shall be provided. The devices shall be UL listed for General Signaling and shall provide a minimum of 75 candela in all positions. The strobe shall operate between 96 and 132 VAC regulated or full wave rectified. The strobe shall flash a minimum of once a second continuously at 96 VAC. A jumper shall allow the user to select either a continuous or ANSI temporal output. The devices are either mounted on a single gang plate, the I-SBX-1 back box or the I-SBP-1 plate for 4" square boxes.

Installation

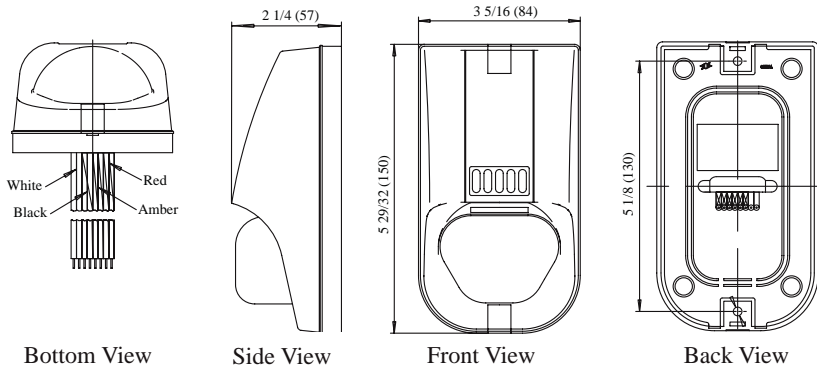
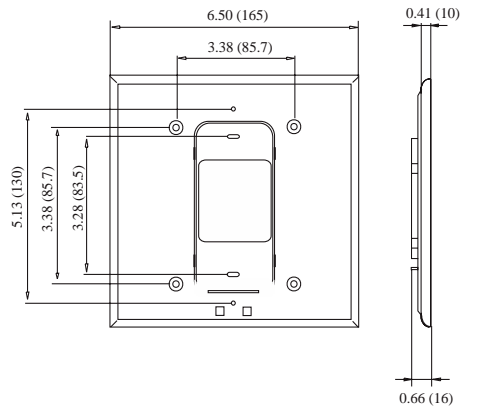


Dimensions: inches (mm)

I-SBX-1 Surface Mount Back Box



I-SBP-1 Plate



Wiring Diagram

Wire Color Horn: 2 - Orange (Hot) 2 - White (Neutral)
Strobe: 2 - Red (Hot) 2 - Black (Neutral)

