

Product Data

I-TT100 Series
I-TT1K Series
I-TTM100 Series
I-TTM1K Series

Temperature Transmitters

Product Description

INTEC temperature transmitters are a cost effective solution for all of your temperature measurement needs. The transmitters are accurate, durable and reliable. Numerous mounting configurations are offered.

INTEC produces two temperature transmitters: the I-TT100 for use with a 100 Ohm Platinum RTD and the I-TT1K for use with a 1K Ohm Platinum RTD. The transmitters produce a linear 4-20 mA output carried on a two-wire system. Optional output voltage ranges (of +1-5 or +2-10 VDC) can also be ordered. The transmitter is supplied both factory calibrated and with zero and span potentiometers for field calibration. The transmitter is linear from -50 to 392°F.

The I-TTM Series transmitters are calibrated using a high accuracy NIST traceable digital thermometer and temperature chamber at three points standard. All temperature transmitters have a five year product warranty.

Transmitter



Attributes:

- Not polarity sensitive
- Class A RTD
- Double Potting Process avoids moisture issues
- Custom calibration ranges are available
- Continuous Element Averaging Sensors

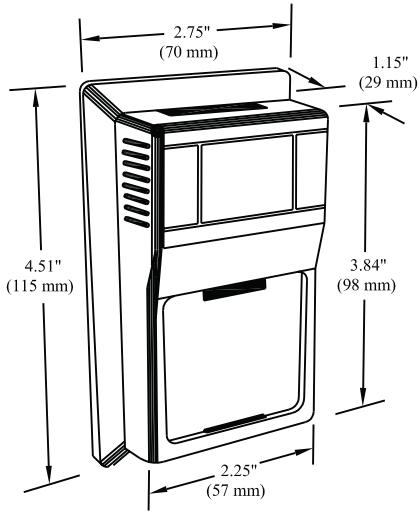
Applications:

- Data acquisition
- OEM
- Process Control
- Clean Rooms

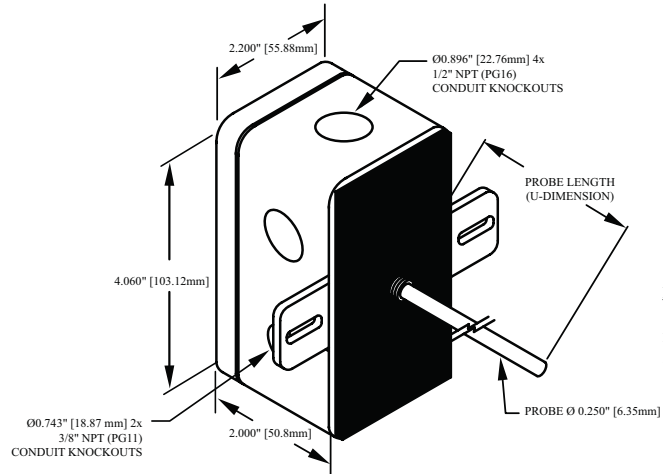
Product Specifications

Transmitter Supply Voltage	8 to 35 VDC, No Polarity Sensitivity 249 Ohm Load: +12 to 35VDC 499 Ohm Load: +17 to 35VDC
Temp. Transmitter Input	2-wire Platinum 100/1K Ohm Class A RTD
Temp. Transmitter Output	2-wire, Linear 4 to 20mA DC Current (Std.) 1 to 5 VDC or 2 to 10VDC
Temp. Transmitter Accuracy NIST Accuracy	+/- 1% of Calibrated span (Standard) Specified by customer down to +/-0.5°F
Temp. Sensor Operating Range Single Point Continuous Element Averaging	-58 to 392°F (-50 to 200°C) -50 to 275°F (-45.5 to 135°C)
Transmitter Operating Temp. Range	32 to 158°F (0 to 70°C)

Room



Duct / Bendable & Rigid Averaging



Duct Insertion (U-Dimension)

5.5" (89 mm)
7.5" (191 mm)
11.5" (292 mm)
17.5" (445 mm)

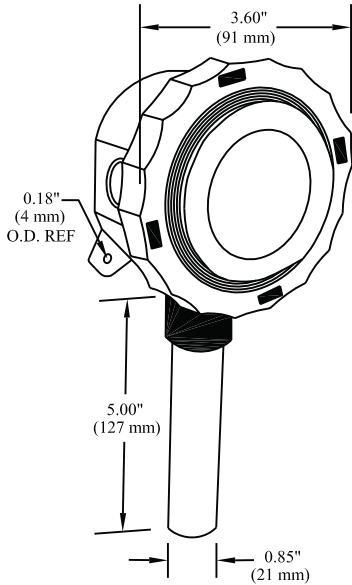
Bendable Averaging

8' (2.4 m)
12' (3.7 m)
24' (7.3 m)

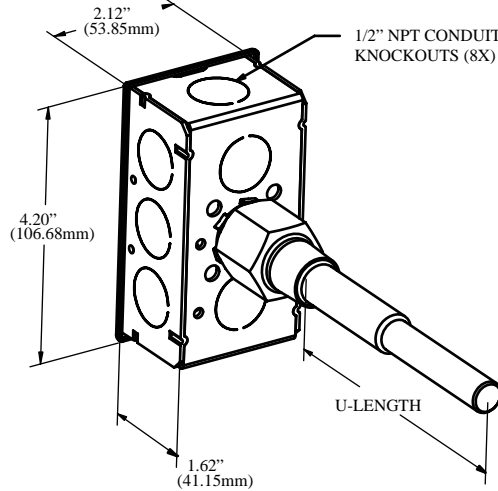
Rigid Averaging

17.625" (448mm)
23.625" (600 mm)
35.625" (905mm)

Outside Air



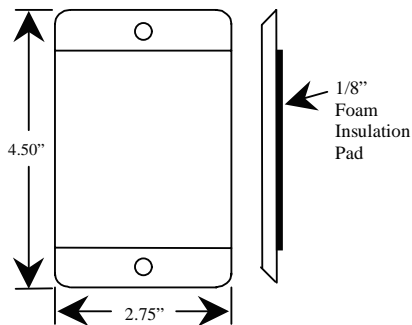
Immersion



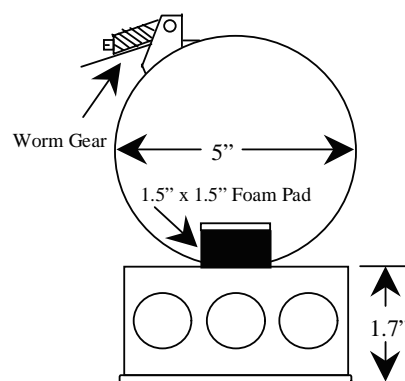
Well Insertion (U-Length)

2.50" (64 mm)
4.00" (102 mm)
6.25" (158.75 mm)

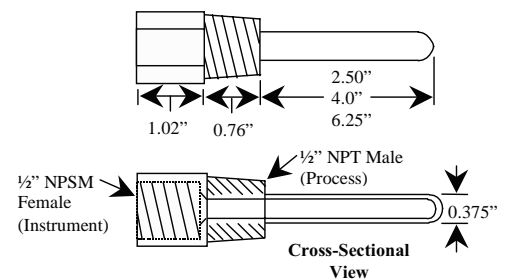
Stainless Plate



Strap-On



Thermowell



Ordering Information

Sensor Type	Span	Configuration	Output	Display ¹	Housing Type ²
I- []	[]	-[]	[]	-[]	-[]
↑	↑	↑	↑	↑	↑
TT100 (100 Ohm RTD)	(1) 40 to 90°	R - Room	(1) 1 to 5 VDC	() No Display	Add-On Options
TT1K (1000 Ohm RTD)	(2) 30 to 100°	RS - Room w/ Setpoint ***	(2) 2 to 10 VDC	(Standard)	(BB) NEMA 3R
	(3) 20 to 120°	RO - Room w/ Override	(4) 4 to 20 mA	(L) LCD Display	(4X) NEMA 4X
	(4) 40 to 140°	RSO - Room w/ Setpoint & Override ***		(Degrees F)	
TTM100 (100 Ohm RTD)	(5) 40 to 240°	D - Duct 4", 8", 12", 18"		(LC) LCD Display	
TTM1K (1000 Ohm RTD)	(6) -30 to 130°	I - Immersion 2.5", 4", 6"		(Degrees C)	
	(7) 0 to 150°	A - Bendable Copper Averaging 8', 12', 24'			
<i>Matched Calibration with 3 point NIST certificate</i>	(8) Specify	RA - Rigid Averaging 18", 24", 36"			
		S - Strap On			
		O - Outdoor Air			
		SP - Stainless Plate			

For added accuracy 5 point calibration is also available

I-5PT NIST (5 Point NIST Calibration certificate)

¹These Options are only available on INTEC's Room Configurations.

²Standard Housing Types:

- Plastic Housing for Duct and Averaging sensors
- Galvanized Junction Box for Immersion and Strap-On sensors

Add-on option (BB) NEMA 3R housing is not available for Strap-On sensors

RS / RSO *** setpoint adjuster option requires additional ordering decisions for the following:

Pot Value ¹	Setpoint Indicator ¹	Pot Action ¹
-[]	-[]	-[]
↑	↑	↑
400	Cool Warm	DA (Direct)
1K	55 to 85	RA (Reverse)
2K	10 to 30° C	
3K		
5K		
8.5K		
10K		
20K		
100K		