

FEATURES

- ❖ Each 24VAC output is isolated
- ❖ Available in 2, 4, and 6 outputs
- ❖ Available with 24V or 110V AC primary
- ❖ Fuse protection on primary
- ❖ Snap track mounted

APPLICATIONS

- ❖ 24VAC isolation power supply
- ❖ Provide 24VAC isolation between fullwave and halfwave bridge devices
- ❖ Eliminate ground loops

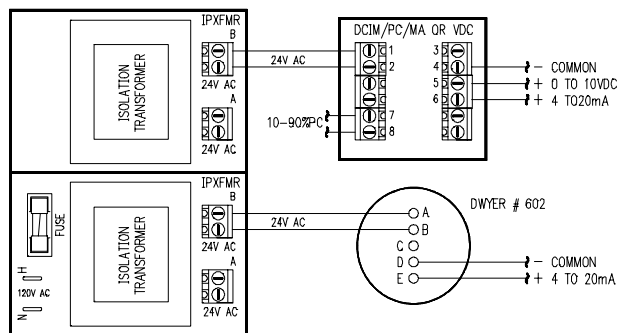
DESCRIPTION

The IPXFMR is a multiple output isolated power supply board providing up to six (6) 24V AC isolated outputs. This module serves to provide the addition isolation needed to avoid ground loops and power supply incompatibilities, when using interface products that use fullwave bridge rectifiers in their power supply sections and the output connects to a device that has its input common is tied to earth ground (VFD'S, Chiller's, etc). The IPXFMR comes mounted in 3" wide snap track.

OPERATION

The IPXFMR utilizes a fast blow 2AG series fuse to protect the primary windings of each transformer. The fuse size depends on the primary voltage (24V AC or 110V AC) and the number of outputs ordered (2, 4, or 6). Each transformer has two isolated outputs and is rated for 24V AC @ 250mA.

WIRING CONFIGURATION



SPECIFICATIONS

SIZE:	IPXFMR-2	2" L x 3" W x 1½" H
	IPXFMR-4	4" L x 3" W x 1½" H
	IPXFMR-6	6" L x 3" W x 1½" H
MOUNTING:	IPXFMR-2	2" L x 3" W Snap Track
	IPXFMR-4	4" L x 3" W Snap Track
	IPXFMR-6	6" L x 3" W Snap Track
POWER:	24V AC	± 10%, 50/60Hz
	IPXFMR-2	12VA @ 500 mA max
	IPXFMR-4	24VA @ 1 Amp max
	IPXFMR-6	36VA @ 1.5 Amp max
	110V AC	± 10%, 50/60Hz
	IPXFMR-2	3VA @ 500 mA max
	IPXFMR-4	6VA @ 1 Amp max
	IPXFMR-6	9VA @ 1.5 Amp max

FUSE

REQUIREMENTS: Littelfuse 2AG SERIES #225 XXX

24V AC primary	◆ 2 outputs 0.5 Amp	#225.500
	◆ 4 outputs 1.0 Amp	#225.001
	◆ 6 outputs 1.5 Amp	#225.01.5
110V AC primary	◆ 2 outputs 0.25 Amp	#225.250
	◆ 4 outputs 0.50 Amp	#225.500
	◆ 6 outputs 0.75 Amp	#225.750

OUTPUT:

24V AC @ 0.250 Amp max each output

AMBIENT TEMP: 0-50°C

ORDERING INFORMATION

IPXFMR/XX/XXX



NUMBER OF OUTPUTS OPTION CODES

- 2 - Two isolated AC outputs
- 4 - Four isolated AC outputs
- 6 - Six isolated AC outputs

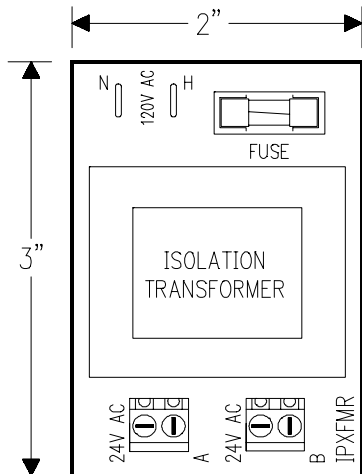
PRIMARY AC VOLTAGE OPTION CODES

- 120 - 110-120V AC Primary Voltage
- 24 - 24V AC Primary Voltage

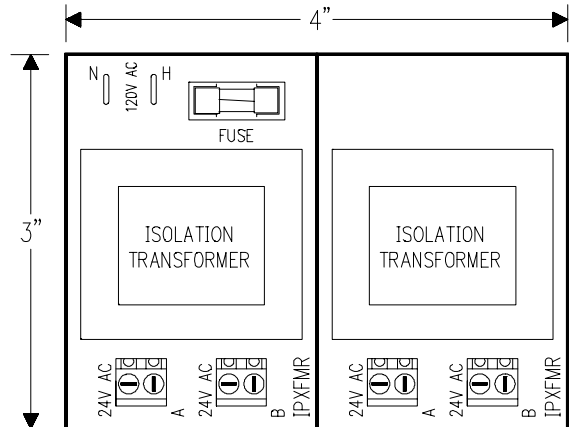
ORDERING EXAMPLES

- IPXFMR/2/120VAC 110-120V AC Primary Voltage with two isolated AC outputs
- IPXFMR/4/24VAC 24V AC Primary Voltage with four isolated AC outputs
- IPXFMR/6/24VAC 24V AC Primary Voltage with six isolated AC outputs

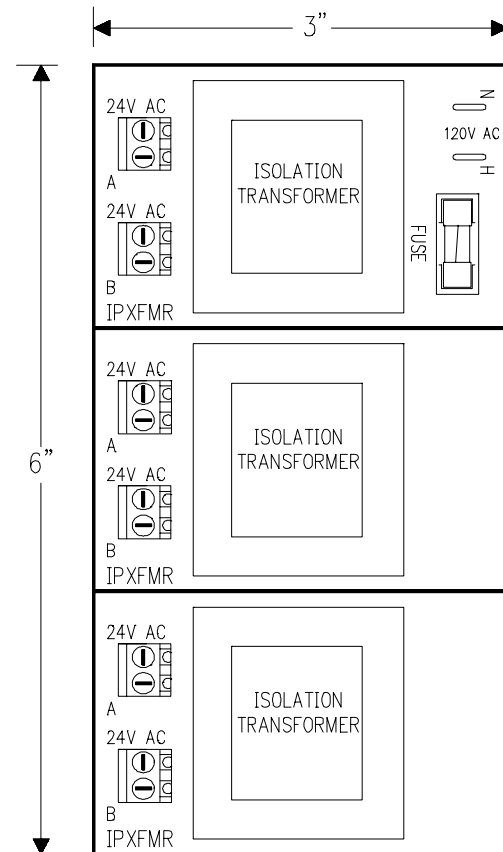
PHYSICAL CONFIGURATION IPXFMR/2



PHYSICAL CONFIGURATION IPXFMR/4



PHYSICAL CONFIGURATION IPXFMR/6



Call for other calibration ranges and versions.