

# RS-485 Repeater/Power Booster Modules



**PolyGard  
REP5/PB5-PS1.5**



Module "CON5-B"  
NRTL Tested & Certified  
Conforms to STD UL 2017

## DESCRIPTION

Wall-mounted, digital RS-485 communicating signal repeater and VDC power booster for field bus arrangement of DGC5 digital controller.

## APPLICATION

To extend the field trunk/bus cable length of the DGC5 system.

## FEATURES

- RS-485 digital bus serial communication
- - 2,900 ft. trunk/bus extension for up to (30) transmitters and/or relay modules
- 24 VAC, 1.5 A power boosting
- Overload, over-voltage and reverse polarity protection
- NEMA 4X enclosure
- Maintenance-free

## SPECIFICATIONS

### Power Booster

Power supply 24 VAC (22-28 VAC)

Power consumption 35 VA max.

### Bus Supply

- voltage 24 VDC

- current 1.5 A, max.

### Repeater

Module "CON5-B" RS-485 serial trunk/bus connections

Overload protection Internally regulated

### Environmental

#### Permissible ambient

- working temperature 32°F to 158°F (0°C to 70°C)

- storage temperature 32°F to 122°F (0°C to 50°C)

- humidity 15-95% RH non-condensing

### Physical

#### Enclosure (panel)

- material Polycarbonate, UL 94-HB, fire-retardant

- conformity UL 50 standards

- color Light gray

- protection NEMA 4X (IP 65)

- installation Wall (surface) mounted, or single gang electrical box

Dimensions (H x W x D) 5.12 x 5.12 x 2.95 in.

(130 x 130 x 75 mm)

Cable entry 3 holes for 1/2 in. conduit for wall (surface) mounting, covered.

1 hole on back side of base plate for single gang electrical box mounting

Wire connection Terminal blocks, Push-on connect and screw type for lead wire

### Wire size

- power supply input Min. 16 AWG (1.5 mm<sup>2</sup>)

Max. 14 AWG (2.5 mm<sup>2</sup>)

- trunk connection Min. 20 AWG (0.5 mm<sup>2</sup>)

Max. 16 AWG (1.5 mm<sup>2</sup>)

Weight 0.7 lbs. (0.3 kg)

### Weight

### Approvals / Listings

- module "CON5-B" NTRL Tested & Certified – Conforms to STD ANSI/UL 2017 CE

EMV-Compliance 89/336/EWG Low voltage directive 73/23/EWG

UL Listed, E208470

CSA Certified E208470

- enclosure (panel)

- unit rating

REP5-PS1.5 NTRL Tested & Certified – Conforms to STD ANSI/UL 2017

PB5-PS1.5 Certification to STD

ANSI/UL 61010-1 – "Pending"

### Warranty

Two years material and workmanship

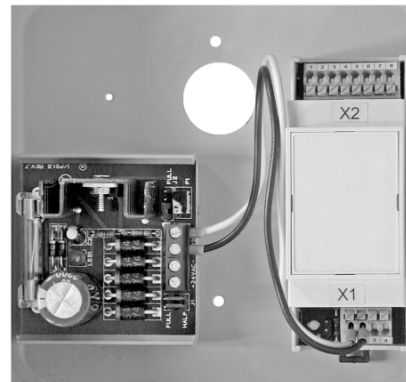
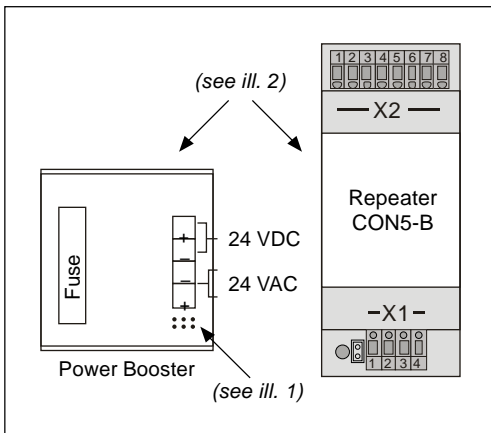
## ORDERING INFORMATION

**REP5-PS1.5** RS-485 communicating repeater and 24 VDC, 1.5 A power booster, NEMA 4X enclosure

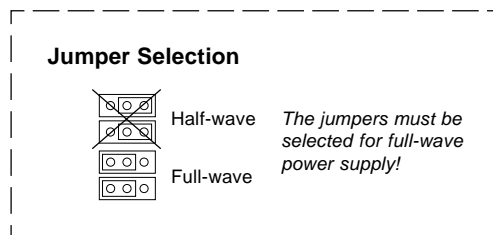
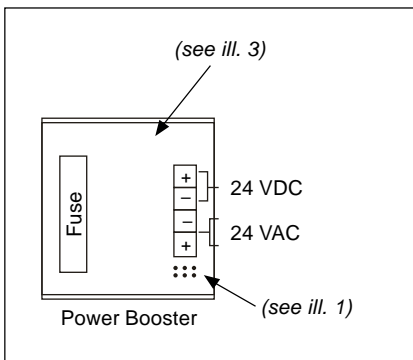
**PB5-PS1.5** 24 VDC, 1.5 A power booster, NEMA 4X enclosure

**FIELD WIRING CONFIGURATION**

REP5-PS1.5, Repeater & Power Booster

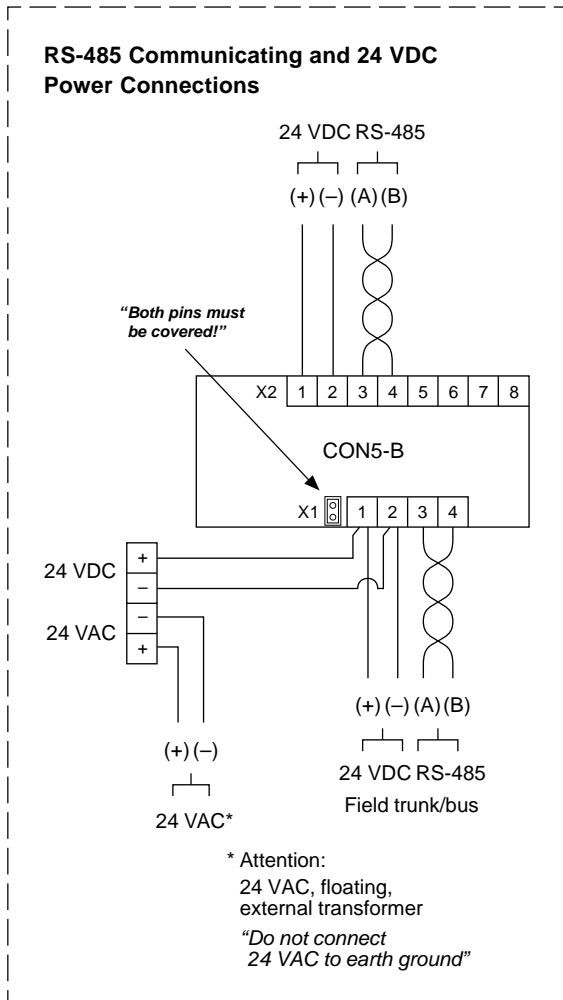


PB5-PS1.5, Power Booster

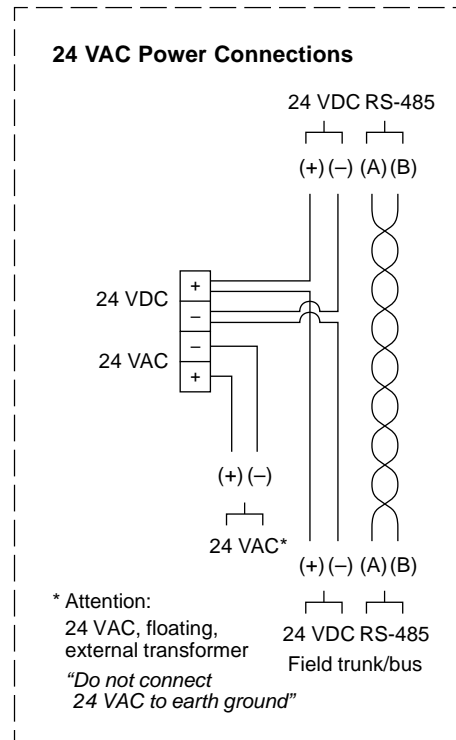


ill. 1

FIELD WIRING CONFIGURATION (cont...)



ill. 2



ill. 3