



- UL and cUL listed
- 12 VDC with 15, 35 or 60 cd setting
- 24 VDC with 15, 35, 60, 75, 95 or 110 cd settings
- Outdoor and indoor
- 6 distinctive candela settings
- Candela selection view window
- 15/75 ADA compliant on 60cd setting
- 33 sound output settings
- Horn or chime sound output
- Pre-wire back plate
- Universal back plate mounting (single gang, double gang, octagon, or 4" square)
- Single screw mounting
- Low current draw

The SH-1224WP Strobe/Horn Series provides a wide range of candela light output options in a single device. The candela settings include a 12 or 24 volt DC operation for the 15, 35 and 60 (75 on axis) candela settings and 24 volt DC operation for the 15, 35, 60, 75, 95 and 110 candela settings. The candela setting is displayed through the front window and is selectable using a drum wheel. The strobes can be synchronized using a control panel with the Potter(Amseco) sync protocol or a SMD10-3A sync module.

The horn settings include Temporal, Non-Temporal, March Time and a Chime sound. The horn also has Low, Mid and High volume settings for each pattern and tone. The tones include 2400 Hz, Electro-Mechanical and Broadband.

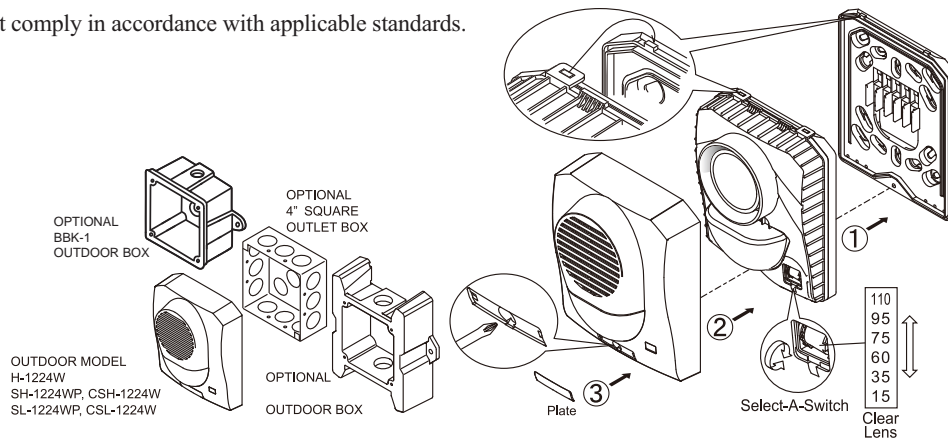
The voltage input can be either regulated DC or full wave rectified (FWR) 12 volt or 24 volt operation with an operating range of 8 to 33V DC.

The SH-1224WP utilizes a universal mounting plate that will mount on a single gang, double gang, octagon and 4" square electrical boxes. The back plate allows the installer to mount the plate and terminate the wire connections. The strobe/horn attaches in a hinge fashion from the top and is secured by a single mounting screw. The strobe/horn completely covers the mounting back plate, therefore it can be mounted before other trades work is completed and not affect the final look.

The Potter SH-1224WP is listed for both outdoor and indoor installations. For outdoor installations the device must be mounted on a matching BBX-5 back box or a BBK-1 bell back box.

Installation

Note: Installation must comply in accordance with applicable standards.

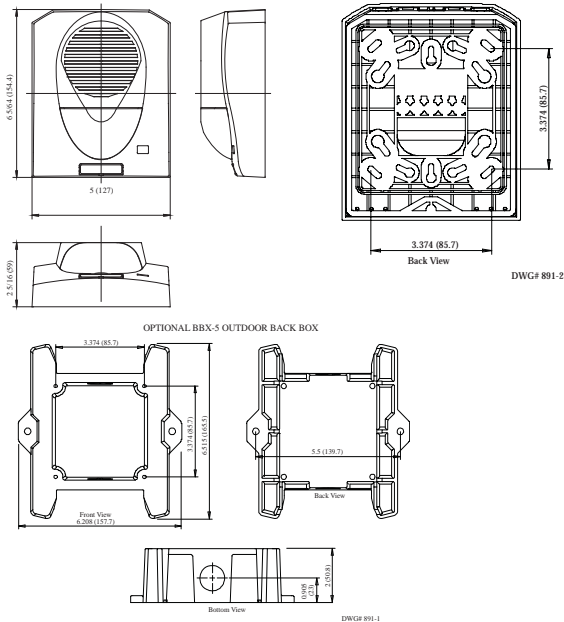


Ordering Information

Add-on * = P for plain enclosure (no "Fire" decal)

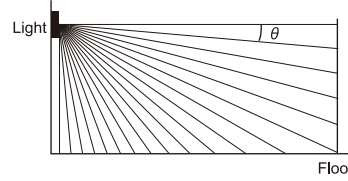
| Stock Number | Model Number | Description | Color |
|--------------|--------------|------------------------------|-------|
| 4710010 | SH-1224WP-R* | Selectable strobe/horn/chime | Red |
| 4710011 | SH-1224WP-W* | Selectable strobe/horn/chime | White |
| 4670017 | SMD10-3A | Sync module | |
| 4270048 | BBX-5 | Back box (included) | Red |
| 4270049 | | | White |
| 1500001 | BBK-1 | Bell back box | Red |

Dimensions: inches (mm)

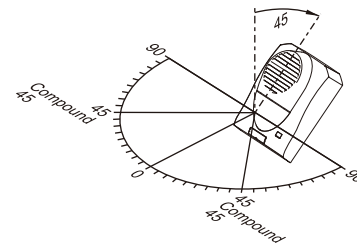


Light output in percentage when measured from the following directions per UL 1971.

Wall mount vertical dispersion



| Degrees | % of Rating | |
|---------|-------------|----------|
| | Horizontal | Vertical |
| 0 | 100 | 100 |
| 5-25 | 90 | 90 |
| 30 | 75 | 90 |
| 35 | 75 | 65 |
| 40 | 75 | 46 |
| 45 | 75 | 34 |
| 50 | 55 | 27 |
| 55 | 45 | 22 |
| 60 | 40 | 18 |
| 65 | 35 | 16 |
| 70 | 35 | 15 |
| 75 | 30 | 13 |
| 80 | 30 | 12 |
| 85-90 | 25 | 12 |



⚠ WARNING

High voltage may be present inside the light assembly even though power is not connected. If access to the component board is required (removal or replacement), the capacitor must be discharged by touching a wire to both ends of the flashtube.

DO NOT attempt to touch or move the assembly until the capacitor has been discharged.

Specifications

Strobe Current

| Setting | Light Output | Max. RMS Operating Current (mA RMS) | | | |
|---------|--------------|-------------------------------------|-------------|-------------|-------------|
| | | Reg. 12 VDC | Reg. 12 FWR | Reg. 24 VDC | Reg. 24 FWR |
| 1 | 15cd | 129 | 185 | 100 | 102 |
| 2 | 35cd | 160 | 214 | 135 | 161 |
| 3 | 60/75cd | 193 | 239 | 171 | 202 |
| 4 | 75cd | NA | NA | 190 | 228 |
| 5 | 95cd | NA | NA | 211 | 255 |
| 6 | 110cd | NA | NA | 225 | 284 |

| Voltage | 12/24V | |
|-----------------------------|--|---------------------|
| UL Designation | Regulated 12 DC/FWR | Regulated 24 DC/FWR |
| Operating Voltage Range | 8 - 17.5V | 16 - 33V |
| Flash Rate | 60 times/min. | |
| Sync Module (SMD10-3A) | NA | Available |
| Operating Temperature Range | Indoor installations: 32°F to 120°F (0°C to 49°C) Outdoor installations: -40°F to 151°F (-40°C to 66°C) | |

Horn Dipswitch

Pattern

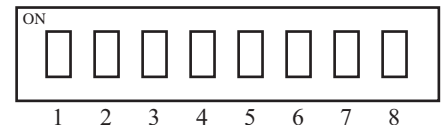
- 1 ON - Non-temporal
- 1 OFF - Temporal
- Both 2 = OFF
- 1 and 2 ON = March Time

Tone

- 3 and 4 ON = 2400Hz
- 3 ON and 4 OFF = Electromechanical
- 3 and 4 OFF = Chime
- 3 OFF and 4 ON = Broadband

Volume

- 5 and 6 ON = High
- 5 ON and 6 OFF = Mid
- 5 and 6 OFF = Low
- 7 and 8 ON = Horn/strobe on 2 wires
- 7 and 8 OFF = Horn/strobe on 4 wires



Note: To determine total current draw, add desired strobe setting and horn selection. Refer to the installation instructions for further information.

Non-Temporal Horn Current

| Pattern | Volume | Max. RMS Current (mA RMS Current) | | dBA Reverberant Ratings per UL464 (dBA @ 10 ft.) | | dBA Anechoic Ratings per CAN/ULC S525 (dBA @ 10 ft.) | |
|--------------------|--------|-----------------------------------|------------|--|------------|--|------------|
| | | Reg 12 VDC | Reg 24 VDC | Reg 12 VDC | Reg 24 VDC | Reg 12 VDC | Reg 24 VDC |
| 2400 Hz | High | 119 | 189 | 87 | 87 | 99 | 100 |
| | Mid | 44 | 110 | 82 | 82 | 94 | 96 |
| | Low | 30 | 72 | 79 | 80 | 92 | 92 |
| Electro-Mechanical | High | 118 | 174 | 86 | 87 | 100 | 100 |
| | Mid | 43 | 98 | 82 | 84 | 96 | 97 |
| | Low | 27 | 66 | 79 | 80 | 93 | 93 |
| Broadband | High | 146 | 205 | 86 | 86 | 101 | 102 |
| | Mid | 41 | 104 | 81 | 82 | 96 | 98 |
| | Low | 28 | 66 | 77 | 79 | 94 | 95 |
| Chime | High | 37 | 37 | 70 | 70 | 86 | 86 |
| | Mid | 11 | 16 | 62 | 62 | 79 | 80 |
| | Low | 9 | 12 | 58 | 57 | 75 | 75 |

Temporal Horn Current

| Pattern | Volume | Max. RMS Current (mA RMS Current) | | dBA Reverberant Ratings per UL464 (dBA @ 10 ft.) | | dBA Anechoic Ratings per CAN/ULC S525 (dBA @ 10 ft.) | |
|--------------------|--------|-----------------------------------|------------|--|------------|--|------------|
| | | Reg 12 VDC | Reg 24 VDC | Reg 12 VDC | Reg 24 VDC | Reg 12 VDC | Reg 24 VDC |
| 2400 Hz | High | 124 | 203 | 82 | 82 | 100 | 100 |
| | Mid | 46 | 110 | 77 | 79 | 95 | 96 |
| | Low | 30 | 82 | 74 | 75 | 92 | 92 |
| Electro-Mechanical | High | 114 | 193 | 83 | 82 | 100 | 101 |
| | Mid | 42 | 113 | 78 | 80 | 95 | 96 |
| | Low | 28 | 75 | 75 | 76 | 93 | 93 |
| Broadband | High | 151 | 219 | 82 | 82 | 101 | 102 |
| | Mid | 45 | 110 | 77 | 78 | 97 | 98 |
| | Low | 30 | 79 | 75 | 76 | 94 | 95 |
| Chime | High | 29 | 35 | 68 | 70 | 86 | 86 |
| | Mid | 10 | 17 | 61 | 61 | 79 | 79 |
| | Low | 9 | 12 | 55 | 55 | 75 | 76 |

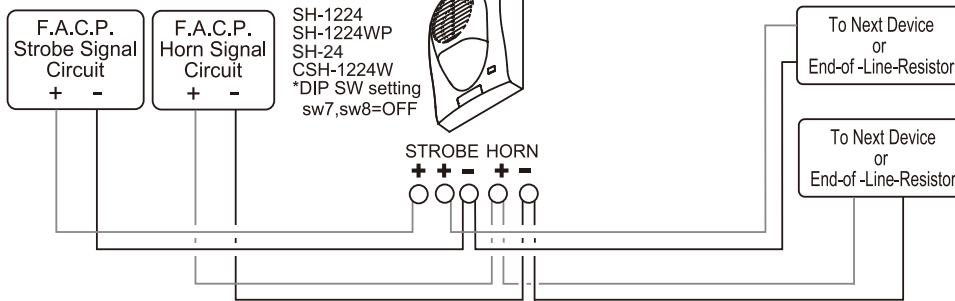
March Time Horn Current

| Pattern | Volume | Max. RMS Current (mA RMS Current) | | dBA Reverberant Ratings per UL464 (dBA @ 10 ft.) | | dBA Anechoic Ratings per CAN/ULC S525 (dBA @ 10 ft.) | |
|--------------------|--------|-----------------------------------|------------|--|------------|--|------------|
| | | Reg 12 VDC | Reg 24 VDC | Reg 12 VDC | Reg 24 VDC | Reg 12 VDC | Reg 24 VDC |
| 2400 Hz | High | 121 | 210 | 83 | 84 | 99 | 100 |
| | Mid | 47 | 116 | 79 | 81 | 95 | 96 |
| | Low | 36 | 75 | 76 | 77 | 92 | 92 |
| Electro-Mechanical | High | 114 | 192 | 83 | 83 | 100 | 100 |
| | Mid | 42 | 103 | 80 | 81 | 95 | 96 |
| | Low | 30 | 71 | 77 | 77 | 92 | 93 |
| Broadband | High | 153 | 230 | 83 | 84 | 101 | 102 |
| | Mid | 42 | 105 | 79 | 80 | 97 | 98 |
| | Low | 29 | 79 | 76 | 77 | 94 | 95 |

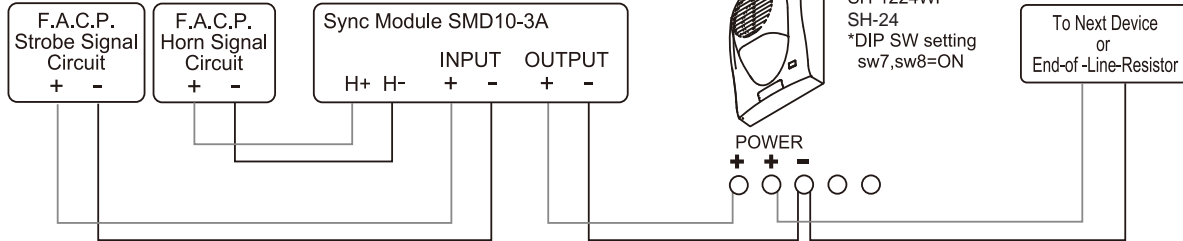
Wiring Diagram

Wiring Observe Polarity Use both terminals (or Lead) for connection. Break wire run to provide electrical supervision.

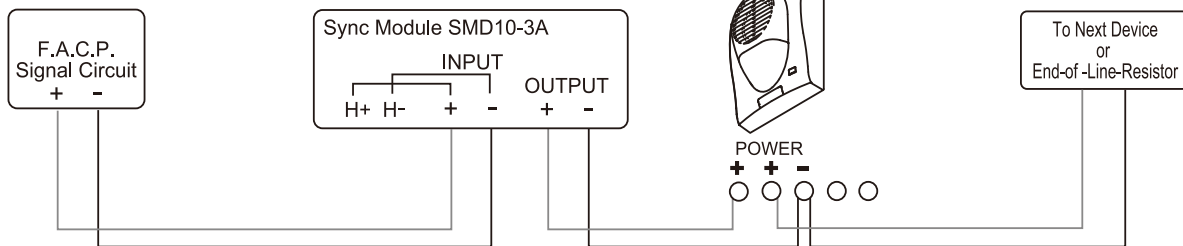
Horn / Strobe Signal Operate Independently



Horn / Strobe Wiring Diagram for Audible Strobe Class "B" Circuit with Audible Silence Feature. (SH-1224, SH1224W)



Horn or Strobe Wiring Diagram for Audible Strobe Class "B" Circuit without Audible Silence Feature.



Refer to the SMD 10-3A Sync Module instruction manual for Class "A" wiring or other application diagrams.

91 4 1

Engineering Specifications

The installer shall provide and install the Potter SH-1224WP selectable strobe/horn. The strobe shall have six (6) candela settings. The candela settings shall be selectable using a drum roller and shall display the candela setting on the front of the device. The horn shall have 33 selectable settings configurable by dip switches. The sounder shall be capable of ANSI Temporal Code 3, March Time and produce a chime output. The horn shall have three distinct volume levels. The strobe/horn shall operate at 12 or 24 VDC regulated or full wave rectified. The strobe/horn shall have an operating range between 8 and 33 VDC. The strobes can be synchronized using a control panel with the Potter(Amseco) sync protocol or a SMD10-3A sync module. The strobe/horn shall utilize a mounting plate that allows

the installer to pre-wire the mounting plate. The mounting plate shall be universal and mount on a single gang, double gang, octagon or 4 inch square box. The Potter SH-1224-WP is listed for both outdoor and indoor applications. For outdoor installations, the device must be mounted on a matching BBX-5 or BBK-1 outdoor bell back box. The mounting plate shall be completely covered by the strobe/horn and shall be secured by a single screw. The strobe/horn shall be UL listed to standard 1638, General Signaling, and standard 1971, Signaling Devices for the Hearing Impaired. In addition, the strobe/horns shall be cUL listed to CAN-ULC S526. The horn shall be UL listed to standard 464, Audible Signaling Devices.