

SL-2000 SERIES

DUCT SMOKE DETECTORS

Hi-Temp, Low-Flow & No-Tools



PRODUCT APPLICATION

The SL-2000 Series Smoke Duct Detector is the latest innovation for early detection of smoke and products of combustion present in air moving through HVAC ducts in Commercial, Industrial, and Residential applications. The unit is designed to prevent the recirculation or spread of smoke by air handling systems, fans, and blowers. Complete systems may be shut down in the event of smoke detection. The SL-2000 is designed and built to meet all local code requirements, as well as the NFPA and ICC standards regarding HVAC supply and return duct smoke detectors. Output terminals are provided for a wide range of remote accessories such as horns, strobes, remote status indicators, and test/reset key switches or push buttons.



PRODUCT DESCRIPTION

The SL-2000 includes many features that represent true innovations from current generation duct smoke detectors. Our traditional installer/servicer-friendly approach has been closely followed and expanded throughout the SL-2000. This philosophy provides a new level of efficiency in after-purchase value to both the installer/servicer and end-user. Our attention to detail has yielded a host of "No-Tools Required" features, as well as a multi-application performance level as yet unmatched in the industry. Innovative product combined with unsurpassed customer service equals the right combination for all of your projects. The key features below detail many of the customer-driven innovations incorporated in the SL-2000 Series.



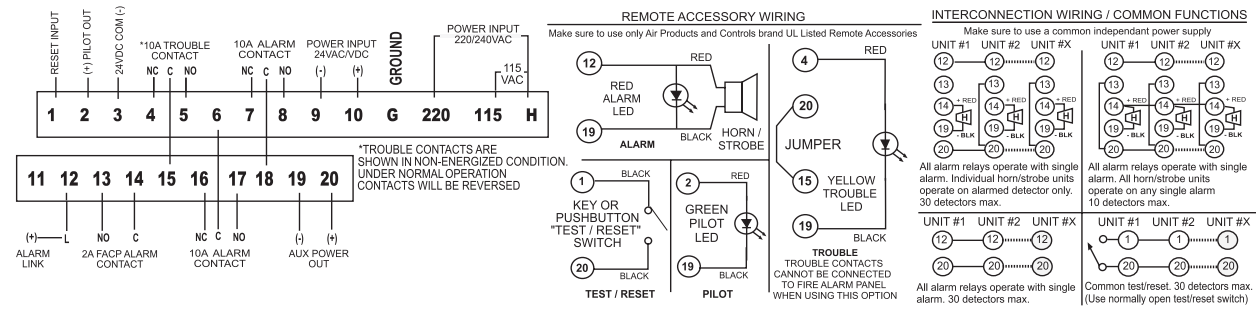
CSFM LISTED

MEA ACCEPTED

FEATURES

- ❖ Low-Flow Technology: Both Ionization and Photoelectric models listed for velocities between 100-4000 ft./min
- ❖ Both models listed for high-temperature applications
- ❖ Operating voltages: 230VAC, 115VAC, 24VAC, 24VDC
- ❖ Interconnect up to 30 units for common functions
- ❖ Patent pending "No-Tools Required" front or rear loading and removing sampling/exhaust tubes
- ❖ Patent pending "Test Port Valve" allows for aerosol smoke testing without cover removal
- ❖ Clear cover fitted with four captive "No-Tools Required" thumbscrews
- ❖ Instantaneous cover removal trouble indication
- ❖ Staggered terminal blocks for easier wiring
- ❖ Flashing LED on detector head indicates normal operation
- ❖ Magnet test capability (magnet included)
- ❖ More wiring space than competitive models
- ❖ Footprint allows easy retrofit in many applications without additional drilling
- ❖ Over 15 remote accessories available
- ❖ Duct wall gaskets on back of enclosure are pre-installed
- ❖ Compatible with the WVP-2000 weatherproof enclosure
- ❖ Reset switch is also an alarm test switch - competitive models require a magnet or cover removal to test at unit
- ❖ Unit includes green pilot and red alarm visual indicators
- ❖ External mounting tabs do not require cover removal to install
- ❖ Colored cover gasket indicates proper cover seal
- ❖ UL, CUL, CSFM, and MEA Listed
- ❖ Compact, lightweight size means easy handling, lower shipping costs
- ❖ Two sets of 10A form "C" alarm contacts
- ❖ One set of 2A form "A" alarm contacts
- ❖ One set of 10A form "C" trouble contacts
- ❖ Large terminal connection screws
- ❖ Standard interchangeable "plug-in" UL268 photoelectric or ionization heads
- ❖ Advanced detector head design yields internal dust filtering
- ❖ No additional screens or filters to clean
- ❖ Compatible with building automation and fire alarm systems
- ❖ Ionization and Photoelectric versions available
- ❖ Complete wiring details permanently attached to unit

WIRING



PRODUCT SPECIFICATIONS

MODEL NUMBER:

DETECTOR MODEL NUMBER:

SAMPLING TUBES:

ACCESSORIES:

POWER REQUIREMENTS: (without accessories)

Standby:

Alarm:

RELAY CONTACT RATING:

Alarm Contacts:

Trouble Contacts:

AIR VELOCITY:

AMBIENT TEMPERATURE:

HUMIDITY:

WIRING:

APPROVALS:

MATERIAL:

DIMENSIONS:

MAX. NET WT.:

RADIOACTIVE ELEMENT:

HARDWARE:

SL-2000-N

SL-2000-P

SL-2000-N

SL-2000-P

STN-1.0

STN-2.5

STN-5.0

STN-10.0

Ionization: 230VAC, 115VAC, 24VAC, 24VDC

Photoelectric: 230VAC, 115VAC, 24VAC, 24VDC

55000-225APO

55000-328APO

Sampling tube for 12" or less duct width

Sampling tube for 6" to 2.5' duct width

Sampling tube for 2.5' to 5.0' duct width

Sampling tube for 5.0' to 10.0' duct width

MS- and MSR-Series remote accessories, WP-2000 weatherproof enclosure, TG-2000 aerosol test gas, and T-PB power supplies (All available from INTEC Controls, Inc.)

230VAC 8 mA

115VAC 14 mA

24VAC 55 mA

24VDC 14 mA

230VAC 18 mA

115VAC 32 mA

24VAC 190 mA

24VDC 68 mA

Resistive load: 2 sets form "C" rated at 10 Amps @ 115VAC

Resistive load: 1 set form "A" rated at 2 Amps

Resistive load: 1 set form "C" rated at 10 Amps @ 115VAC

100 to 4,000 ft./min.

SL-2000-N 32°F to 158°F (0°C to 70°C)

SL-2000-P 32°F to 140°F (0°C to 60°C)

85 ± 5 % RH (@32 ± 2°C; 86 ± 3.6°F) Non-Condensing / Non-Freezing

Solid or stranded: #12 to #22 AWG terminals

UL & CUL Listed (UL268A, UROX, UROX7) File # S2829

CSFM Listed (3240-1004:105)

MEA Accepted (73-92-E; VOL. 27)

Grey plastic backbox, clear plastic cover (Makrolon 94V-0)

13 1/2" L x 4 1/2" W x 2 1/4" H

2 1/2 lbs.

For **SL-2000-N** (Ionization) Americium 241; 0.9 Micro-Curie

Do not expose to corrosive atmospheres

7" exhaust tube, sampling tube end cap, mounting template, test magnet, and mounting hardware included

ENGINEERS & ARCHITECTS SPECIFICATIONS

- Air duct smoke detectors shall be INTEC Controls, Inc. SL-2000 Series. For ionization detectors the model number is **SL-2000-N**.
- For photoelectric detectors the model number is **SL-2000-P**. The detectors shall be listed by Underwriters Laboratories per UL 268A.
- The detectors shall operate at air velocities from 100 feet per minute to 4,000 feet per minute and at temperatures of no greater than 140°F (60°C).
- Visual indication of alarm and power must be provided on the detector front.
- A manual reset switch shall be located on front of the device.
- Detector head shall not require additional filters or screens which must be maintained, and shall include both a standby and alarm visual indication.
- The housing shall contain a detector base which will accept photoelectric or ionization detector heads.
- Terminal connections shall be of the screw type, a minimum of #6 screw (#12 to #22 AWG compatible). Terminals shall be provided for remote pilot, remote alarm indications, strobe/horn, and remote test/reset switch. All wiring must comply with local codes and regulations.
- A method of testing the alarm function with a magnet must be provided.
- A method of smoke testing the detector without removing the cover must be provided.
- All unit, remote accessory, and common function connection designations must be permanently affixed to the unit.
- Cover and sampling/exhaust tube installation or removal must not require the use of tools.
- Capability for interconnection of up to 30 units shall be provided for common functions.
- Sample and exhaust tubes shall be capable of removal/installation from the front and/or rear of the detector for inspection/maintenance.

NOTICE: The information contained in this document is intended only as a summary and is subject to change without notice. The products described have specific instructional/installation documentation, which covers various technical, approval, code, limitation and liability information.

DS-DU-1 G070206

INTEC Controls, Inc., 9730 Distribution Ave., San Diego, CA 92121

www.intecccontrols.com | info@intecccontrols.com | Ph: (858) 578-7887 | Fx: (858) 578-4633