

**Description**

The Model TWS is a two-wire loop powered signal transmitter for use with strain gage Target inline, insertion or sanitary flowmeters. The Model TWS provides a 4-20 mA current loop signal that is proportional to the flow rate squared. The Model TWS can be integrally mounted or remote mounted up to 50 ft.

**Technical Information**

**Functional Specifications**

Ambient Temperature	-20° to 140°F (-29° to 60°C)
Power Input	12 to 36 VDC (2 - wire)
Load Impedance (ohm)	= 50 x (VDC supply -12)
Outputs	4-20 mA DC proportional to flow rate squared 4 mA represents zero flow and 20 mA is full-scale flow
Display	None
Low Flow Cutoff	Factory set based on flowmeter turndown
Enclosure Protection	NEMA 4X/IP 66
Response Time	0.1 sec undamped

**Performance Specifications**

Accuracy	± 0.1% full scale
Repeatability	± 0.1% of point
Enclosure Protection	NEMA 4X/IP66
Agency Approvals	CSA Class I, Groups B,C, D Class II, Groups E, F, G EEx d IIC

**Functional Specifications**

<b>Materials of Construction</b>	
Case	Polyester coated aluminum
Electrical Connection	3/4" FNPT

**Dimensions (inch)**

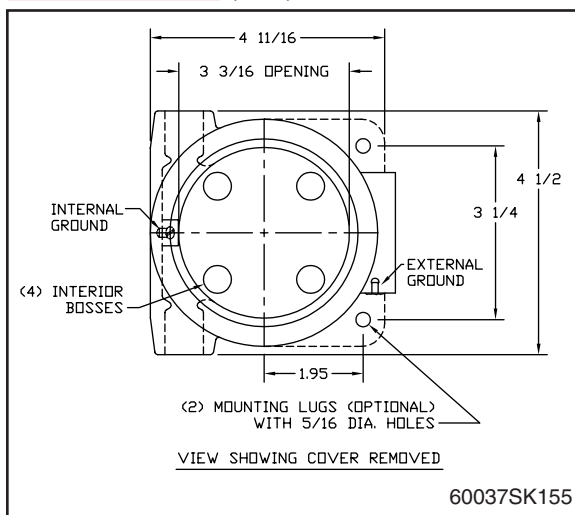


Figure 1

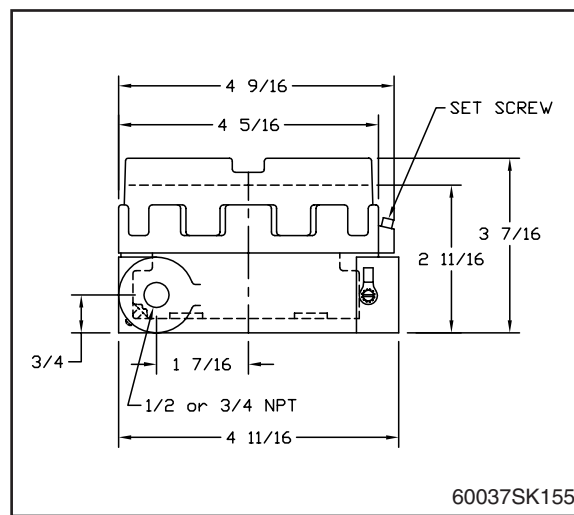


Figure 2

**Ordering Information**

Specify model number, remote or integral mounting and type of output at the time of ordering.