

Description

The VEC-1010 and VEC-1020 Series are two-position, three-way, solenoid air valves. They are designed to interface between a variety of electric and pneumatic circuits. The VEC-1010 Series are available in 24 VAC, 24 VDC and 120 VAC models. The VEC-1020 series are available in 24, 120, 240, 208 and 408 VAC and 24 VDC models.

These relays are constructed of lightweight, molded, high strength Celcon. They feature barbed connections for 1/4" polyethylene tubing on all three air ports.

The units are not position sensitive and are designed for panel mounting. The VEC-1020 series may also be wall mounted using a junction box. All models are U.L. and C.S.A. listed



Features

- ◆ Two position, three way design
- ◆ Light weight, high strength housing makes units ideal for panel or wall mounting
- ◆ Models available in VAC and VDC
- ◆ All models are U.L. and C.S.A. listed

Applications

Typical applications include switching branch or main air signals from one source, or pressure, to another; supplying pressure to, or exhausting pressure from, control devices (damper motors and valves) and initiating a change in a control function (occupied/ unoccupied, summer/ winter, etc.).

Models

Choose the model that fits your application.

Open Frame

VEC-1011	24 VAC
VEC-1012	120 VAC
VEC-1017	24 VDC

NEMA 1 Junction Box

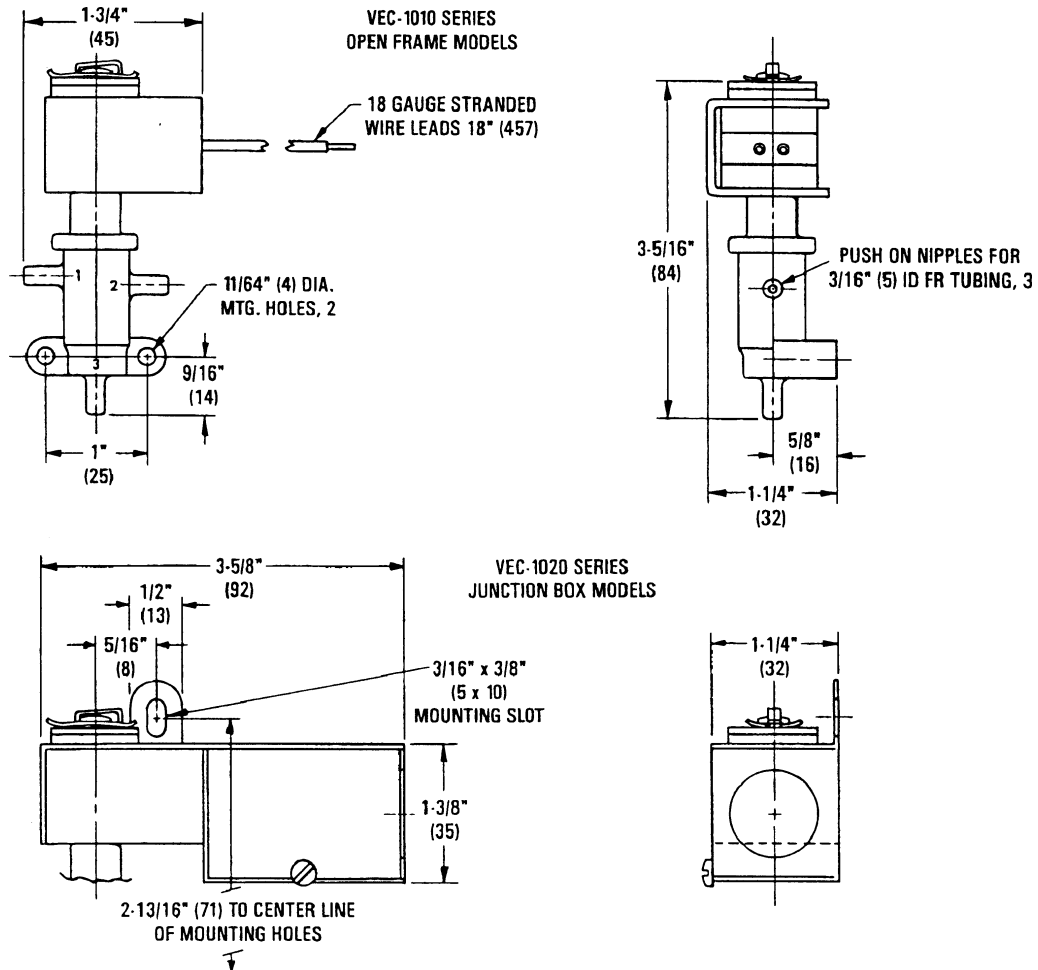
VEC-1021	24 VAC
VEC-1022	120 VAC
VEC-1023	240 VAC
VEC-1025	480 VAC
VEC-1026	208 VAC
VEC-1027	24 VDC

!CAUTION

Pneumatic devices **MUST** operate with **CLEAN, DRY**, control air. Any other medium will result in the device's eventual failure.

Details

All dimensions in inches (mm)



Specifications

Connections

Electrical	Leadwired from coil
Air	3/16" (5 mm) fittings for 1/4" (6 mm) O.D. polyethylene tubing

Power Consumption

5.7 watts AC, 9.7 watts DC

Pressure Differential

30 psi (207 kPa) maximum

Capacity

605 scim (165 mL/s @ 20 psig (138 kPa) with 1 psi (7 kPa) drop

Cv

0.06 (0.05 KVS)

Temperature Limits

VEC-1010 Series	110° F (43° C)
VEC-1020 Series	100° F (38° C)

Weight:

4.5 oz (128 grams)

Voltages

24, 120, 208, 240, 480 VAC
24 VDC

Port Markings

1: Normally Open
2: Normally Closed
3: Common

INTEC
CONTROLS

9730 Distribution Ave.
San Diego, CA 92121

Ph: 858-578-7887
Fx: 858-578-4633

Email: info@intecontrols.com
www.intecontrols.com