

Description

These relays are two-position three-way solenoid air valves used to interface between electric and pneumatic circuits.

Models VEC-1073 and 1075 are supplied with leadwires exiting from a grommet on the coil housing and include an integral bracket for mounting in panels or other enclosures.

Models VEC-1083 and 1085 include a 1/2" NPT conduit hub on the coil housing. An optional bracket is available for mounting to a flat surface or in an enclosure.

Typical applications include switching branch or main air signals from one source or pressure to another; supplying pressure to or exhausting pressure from control devices such as damper actuators or valves; and initiating a change in control function such as in occupied-unoccupied, summer-winter, or outdoor change-over applications.

Features

- ◆ Two position, three port design
- ◆ Models available in 24 and 120 VAC
- ◆ Exit grommets, conduit hubs and bracket provide easy, flexible installation
- ◆ All models are UL and CSA listed

Applications

Typical applications include switching branch or main air signals from one source, or pressure, to another; supplying pressure to, or exhausting pressure from, control devices (damper motors and valves) and initiating a change in a control function (occupied/ unoccupied, summer/ winter, etc.).



!CAUTION

Pneumatic devices **MUST** operate with **CLEAN, DRY**, control air. Any other medium will result in the device's eventual failure.

Models

Choose the model that fits your application

With Surface Mounting Bracket

VEC-1073	24 VAC
VEC-1075	120 VAC

With 1/2" Conduit Adaptor

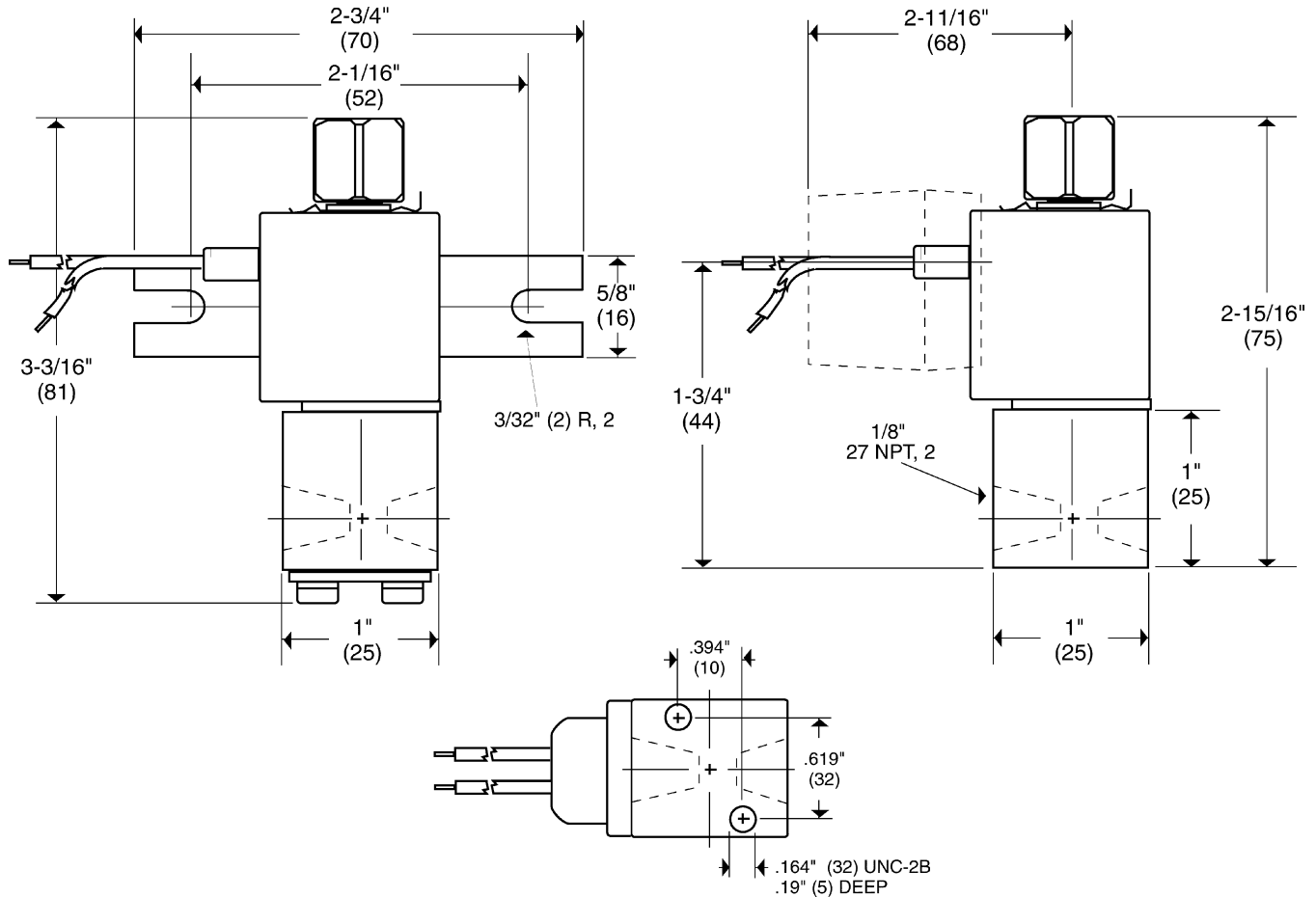
VEC-1083	24 VAC
VEC-1085	120 VAC

Accessories

HMO-4527	Mounting bracket
----------	------------------

Details

All dimensions in inches (mm).



Specifications

Connections

Electrical	18" (457 mm) leadwires
Air	1/8" FPT

Power Consumption	8.8 va holding, 12.1 va in-rush
--------------------------	---------------------------------

Pressure Range	0 to 30 psi (0 to 207 kPa)
-----------------------	----------------------------

Capacity

Ports 1 & 2 (Cv 0.17)	1581 scim (431.6 mL/s @ 15 psig (103 kPa) with 1 psi (7 kPa) drop.
Port 3 (Cv 0.07)	655 scim (178.8 mL/s @ 15 psig (103 kPa) with 1 psi (7 kPa) drop

Temperature Limits

Operating	40° to 120° F (4° to 49° C)
Shipping	-40° to 140° F (-40° to 60° C)

Weight:

8.4 oz (238 grams)

Port Designation

Port 1 = Common
Port 2 = NC
Port 3 = NO

Switching Action

Universal air pressure can be applied at any port

De-energized

Port 1 and 3 connected
Port 2 is blocked

Energized

Port 1 and 2 connected
Port 3 is blocked

INTEC
CONTROLS

9730 Distribution Ave.
San Diego, CA 92121

Ph: 858-578-7887
Fx: 858-578-4633

Email: info@inteccontrols.com
www.inteccontrols.com