

WP SERIES

WEATHERPROOF ENCLOSURES FOR DUCT SMOKE DETECTORS



PRODUCT DESCRIPTION

The WP-1 enclosure provides protection for the RW and SM Series duct smoke detectors. The WP-2000 enclosure provides protection for the SL Series duct smoke detectors. These enclosures offer outdoor protection from rain, sleet and snow, or indoor protection from dripping water.



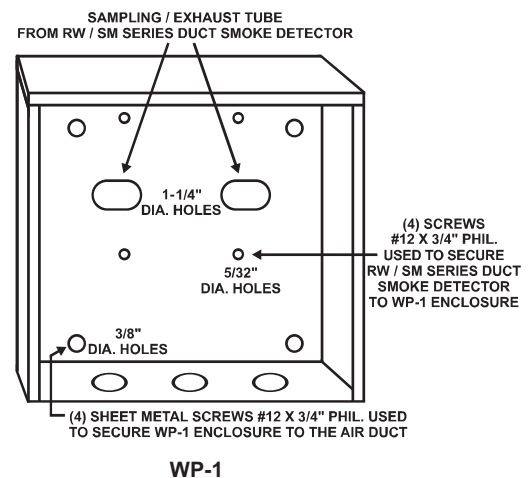
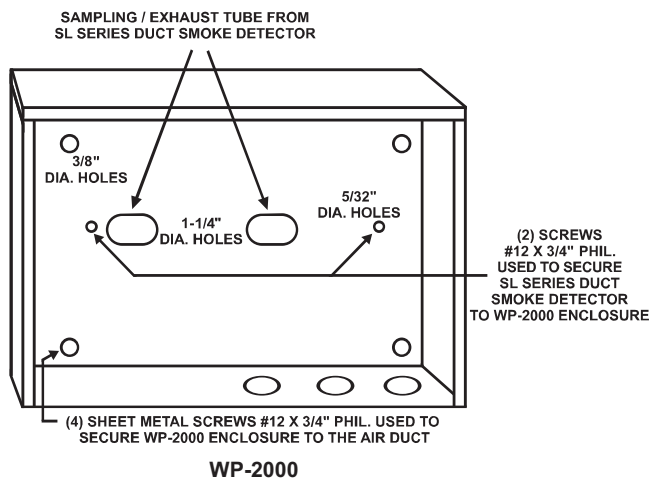
WP-2000
SL Series detector not included



WP-1
RW/SM Series detector not included

FEATURES

- ❖ 16 gauge steel throughout
- ❖ Egg shell white painted finish throughout
- ❖ Drip shield top
- ❖ Slip-on removable cover
- ❖ Embossed mounting holes on back of enclosure
- ❖ 3 knockouts in bottom of enclosure
- ❖ UL 50 type 3R / NEMA type 3R
- ❖ Foam gaskets for sampling/exhaust holes provided
- ❖ All hardware included



PRODUCT SPECIFICATIONS

MODEL NUMBERS:		WP-1	WP-2000
USE:		RW and SM Series	SL Series
DIMENSIONS:	H	12.00" (305mm)	11.06" (281mm)
	W	12.00" (305mm)	18.13" (460mm)
	D	4.25" (108mm)	4.38" (111mm)
CONDUIT KNOCKOUTS:	In bottom: 3 convertible 0.75" to 1.75"		
METAL WORK:	16ga CRS with white painted finish		
FRONT ACCESS:	Removable cover, secured with two screws		
HARDWARE:	(4) #12 x 3/4" sheet metal screws included		
PROTECTION RATING:	3R – UL 50, NEMA and CSA Outdoor: Internal equipment protected from falling rain, etc.; undamaged by ice formation		
AMBIENT TEMPERATURE:	See appropriate RW, SM or SL Series detector specifications		
LISTINGS AND APPROVALS:	UL: NITW.E69392* CUL: NITW7.E69392*		

*NITW = Industrial Control Panel Enclosures; /7 = Certified for Canada

NOTICE: The information contained in this document is intended only as a summary and is subject to change without notice. The products described have specific instructional/installation documentation, which covers various technical, approval, code, limitation and liability information.

DS-DU-4 C050719