



SH-1224WP SERIES WALL MOUNT WEATHER PROOF SELECT-A-STROBE/HORN®



- UL and cUL listed
- 12 VDC with 15, 35 or 60 cd setting
- 24 VDC with 15, 35, 60, 75, 95 or 110 cd settings
- Outdoor and indoor
- 6 distinctive candela settings
- Candela selection view window
- 15/75 ADA compliant on 60cd setting
- 33 sound output settings
- Horn or chime sound output
- Pre-wire back plate
- Universal back plate mounting (single gang, double gang, octagon, or 4" square)
- Single screw mounting
- Low current draw
- Limited three years warranty

The SH-1224WP Strobe/Horn Series provides a wide range of candela light output options in a single device. The candela settings include a 12 or 24 volt DC operation for the 15, 35 and 60 (75 on axis) candela settings and 24 volt DC operation for the 15, 35, 60, 75, 95 and 110 candela settings. The candela setting is displayed through the front window and is selectable using a drum wheel. The strobes can be synchronized using a control panel with the Potter(Amseco) sync protocol or a SMD10-3A sync module.

The horn settings include Temporal, Non-Temporal, March Time and a Chime sound. The horn also has Low, Mid and High volume settings for each pattern and tone. The tones include 2400 Hz, Electro-Mechanical and Broadband.

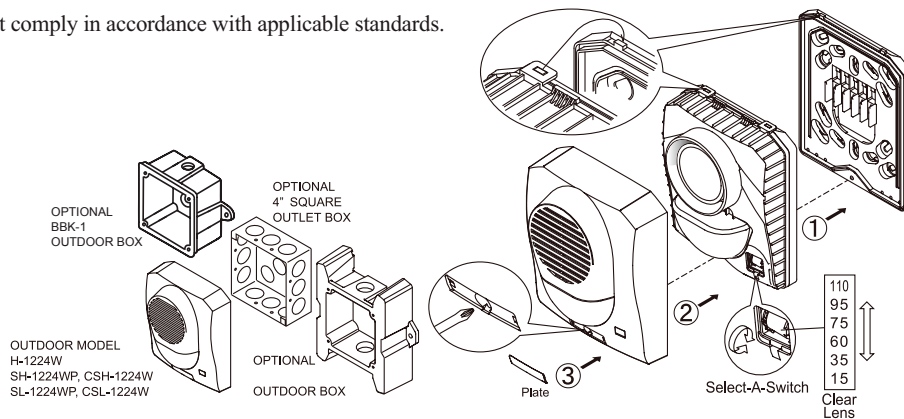
The voltage input can be either regulated DC or full wave rectified (FWR) 12 volt or 24 volt operation with an operating range of 8 to 33V DC.

The SH-1224WP utilizes a universal mounting plate that will mount on a single gang, double gang, octagon and 4" square electrical boxes. The back plate allows the installer to mount the plate and terminate the wire connections. The strobe/horn attaches in a hinge fashion from the top and is secured by a single mounting screw. The strobe/horn completely covers the mounting back plate, therefore it can be mounted before other trades work is completed and not affect the final look.

The Potter SH-1224WP is listed for both outdoor and indoor installations. For outdoor installations the device must be mounted on a matching BBX-5 back box or a BBK-1 bell back box.

Installation

Note: Installation must comply in accordance with applicable standards.



Ordering Information

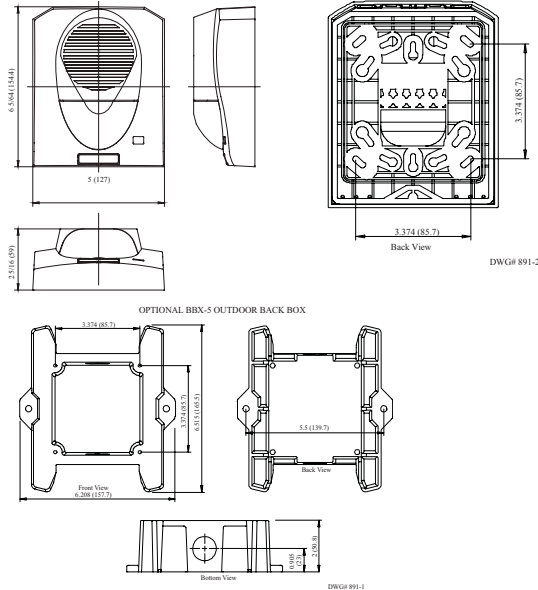
Add-on * = P for plain enclosure (no "Fire" decal)

Stock Number	Model Number	Description	Color
4710010	SH-1224WP-R*	Selectable strobe/horn/chime	Red
4670017	SMD10-3A	Sync module	
4270048	BBX-5	Back box (included)	Red
4270049			White
1500001	BBK-1	Bell back box	Red



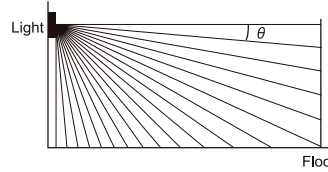
SH-1224WP SERIES WALL MOUNT WEATHER PROOF SELECT-A-STROBE/HORN®

Dimensions: inches (mm)

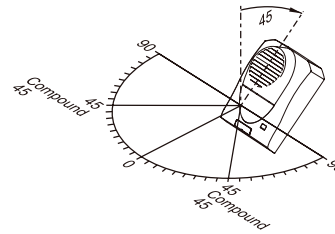


Light output in percentage when measured from the following directions per UL 1971.

Wall mount vertical dispersion



Degrees	% of Rating	
	Horizontal	Vertical
0	100	100
5-25	90	90
30	75	90
35	75	65
40	75	46
45	75	34
50	55	27
55	45	22
60	40	18
65	35	16
70	35	15
75	30	13
80	30	12
85-90	25	12



⚠ WARNING

High voltage may be present inside the light assembly even though power is not connected. If access to the component board is required (removal or replacement), the capacitor must be discharged by touching a wire to both ends of the flashtube. **DO NOT** attempt to touch or move the assembly until the capacitor has been discharged.

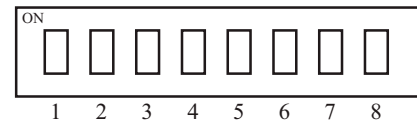
Specifications

Strobe Current

Setting	Light Output	Max. RMS Operating Current (mA RMS)			
		Reg. 12 VDC	Reg. 12 FWR	Reg. 24 VDC	Reg. 24 FWR
1	15cd	129	185	100	102
2	35cd	160	214	135	161
3	60/75cd	193	239	171	202
4	75cd	NA	NA	190	228
5	95cd	NA	NA	211	255
6	110cd	NA	NA	225	284

Voltage		12/24V	
UL Designation	Regulated 12 DC/FWR	Regulated 24 DC/FWR	
Operating Voltage Range	8 - 17.5V	16 - 33V	
Flash Rate	60 times/min.		
Sync Module (SMD10-3A)	NA	Available	
Operating Temperature Range	Indoor installations: 32°F to 120°F (0°C to 49°C) Outdoor installations: -40°F to 151°F (-40°C to 66°C)		

Horn Dipswitch



Pattern

- 1 ON - Non-temporal
- 1 OFF - Temporal
- Both 2 = OFF
- 1 and 2 ON = March Time

Tone

- 3 and 4 ON = 2400Hz
- 3 ON and 4 OFF = Electromechanical
- 3 and 4 OFF = Chime
- 3 OFF and 4 ON = Broadband

Volume

- 5 and 6 ON = High
- 5 ON and 6 OFF = Mid
- 5 and 6 OFF = Low
- 7 and 8 ON = Horn/strobe on 2 wires
- 7 and 8 OFF = Horn/strobe on 4 wires

Note: To determine total current draw, add desired strobe setting and horn selection. Refer to the installation instructions for further information.



SH-1224WP SERIES WALL MOUNT WEATHER PROOF SELECT-A-STROBE/HORN®

Non-Temporal Horn Current

Pattern	Volume	Max. RMS Current (mA RMS Current)		dBA Reverberant Ratings per UL464 (dBA @ 10 ft.)		dBA Anechoic Ratings per CAN/ULC S525 (dBA @ 10 ft.)	
		Reg 12 VDC	Reg 24 VDC	Reg 12 VDC	Reg 24 VDC	Reg 12 VDC	Reg 24 VDC
2400 Hz	High	119	189	87	87	99	100
	Mid	44	110	82	82	94	96
	Low	30	72	79	80	92	92
Electro-Mechanical	High	118	174	86	87	100	100
	Mid	43	98	82	84	96	97
	Low	27	66	79	80	93	93
Broadband	High	146	205	86	86	101	102
	Mid	41	104	81	82	96	98
	Low	28	66	77	79	94	95
Chime	High	37	37	70	70	86	86
	Mid	11	16	62	62	79	80
	Low	9	12	58	57	75	75

Temporal Horn Current

Pattern	Volume	Max. RMS Current (mA RMS Current)		dBA Reverberant Ratings per UL464 (dBA @ 10 ft.)		dBA Anechoic Ratings per CAN/ULC S525 (dBA @ 10 ft.)	
		Reg 12 VDC	Reg 24 VDC	Reg 12 VDC	Reg 24 VDC	Reg 12 VDC	Reg 24 VDC
2400 Hz	High	124	203	82	82	100	100
	Mid	46	110	77	79	95	96
	Low	30	82	74	75	92	92
Electro-Mechanical	High	114	193	83	82	100	101
	Mid	42	113	78	80	95	96
	Low	28	75	75	76	93	93
Broadband	High	151	219	82	82	101	102
	Mid	45	110	77	78	97	98
	Low	30	79	75	76	94	95
Chime	High	29	35	68	70	86	86
	Mid	10	17	61	61	79	79
	Low	9	12	55	55	75	76

March Time Horn Current

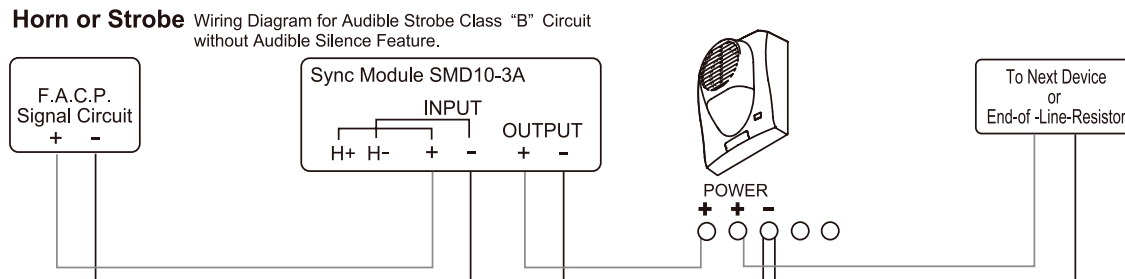
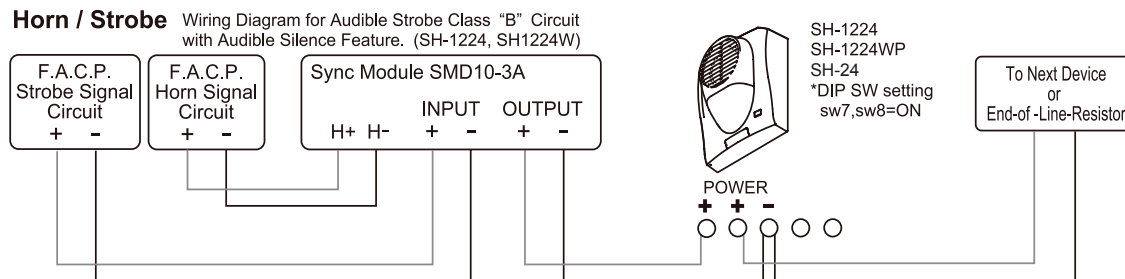
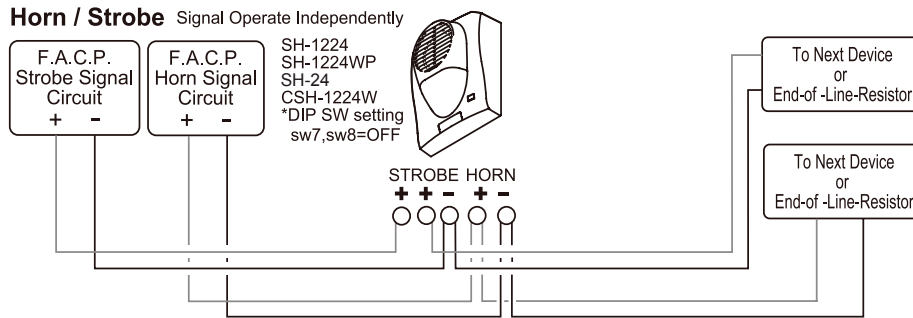
Pattern	Volume	Max. RMS Current (mA RMS Current)		dBA Reverberant Ratings per UL464 (dBA @ 10 ft.)		dBA Anechoic Ratings per CAN/ULC S525 (dBA @ 10 ft.)	
		Reg 12 VDC	Reg 24 VDC	Reg 12 VDC	Reg 24 VDC	Reg 12 VDC	Reg 24 VDC
2400 Hz	High	121	210	83	84	99	100
	Mid	47	116	79	81	95	96
	Low	36	75	76	77	92	92
Electro-Mechanical	High	114	192	83	83	100	100
	Mid	42	103	80	81	95	96
	Low	30	71	77	77	92	93
Broadband	High	153	230	83	84	101	102
	Mid	42	105	79	80	97	98
	Low	29	79	76	77	94	95



SH-1224WP SERIES
WALL MOUNT WEATHER PROOF
SELECT-A-STROBE/HORN®

Wiring Diagram

Wiring Observe Polarity Use both terminals (or Lead) for connection. Break wire run to provide electrical supervision.



Refer to the SMD 10-3A Sync Module instruction manual for Class "A" wiring or other application diagrams.

91 4 1

Engineering Specifications

The installer shall provide and install the Potter SH-1224WP selectable strobe/horn. The strobe shall have six (6) candela settings. The candela settings shall be selectable using a drum roller and shall display the candela setting on the front of the device. The horn shall have 33 selectable settings configurable by dip switches. The sounder shall be capable of ANSI Temporal Code 3, March Time and produce a chime output. The horn shall have three distinct volume levels. The strobe/horn shall operate at 12 or 24 VDC regulated or full wave rectified. The strobe/horn shall have an operating range between 8 and 33 VDC. The strobes can be synchronized using a control panel with the Potter(Amsec) sync protocol or a SMD10-3A sync module. The strobe/horn shall utilize a mounting plate that allows

the installer to pre-wire the mounting plate. The mounting plate shall be universal and mount on a single gang, double gang, octagon or 4 inch square box. The Potter SH-1224-WP is listed for both outdoor and indoor applications. For outdoor installations, the device must be mounted on a matching BBX-5 or BBK-1 outdoor bell back box. The mounting plate shall be completely covered by the strobe/horn and shall be secured by a single screw. The strobe/horn shall be UL listed to standard 1638, General Signaling, and standard 1971, Signaling Devices for the Hearing Impaired. In addition, the strobe/horns shall be cUL listed to CAN-ULC S526. The horn shall be UL listed to standard 464, Audible Signaling Devices.