

MVT41/V.T ZONE VALVE INSTALLATION

MVT41/V.T-Install

Valve body installation

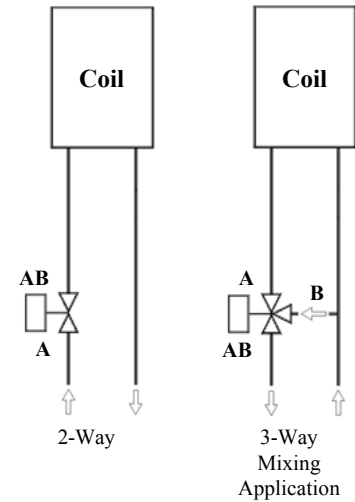
To avoid valve clogging, all dirt, metal shavings, slag, sand, etc. located inside of piping must be removed / flushed out prior to installing the valve.

Avoid installing the valve in a location where it will be subjected to vibration. The valve body should be piped without the actuator.

The valve can be installed in any position except with the valve stem in the downwards position.

3-way valves should preferably be piped as mixing configuration (flow input A and input B to output AB). It can be piped as diverting configuration (flow input AB to two outputs A and B).

When the actuator is not coupled to the valve body, the valve will spring return to closed position (N.C. version).



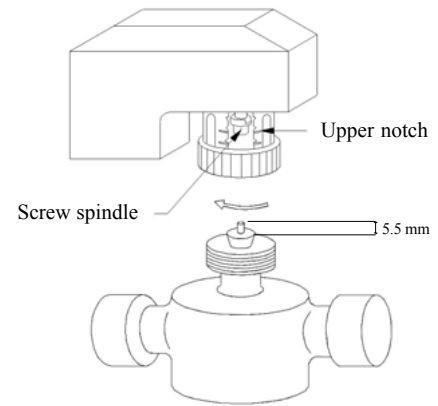
Manual override of valve

With the supplied black screw-on cap the valve can be manually opened or closed by screwing the cap over the stem and turning it clockwise or counter clockwise (no actuator installed).

Actuator assembly

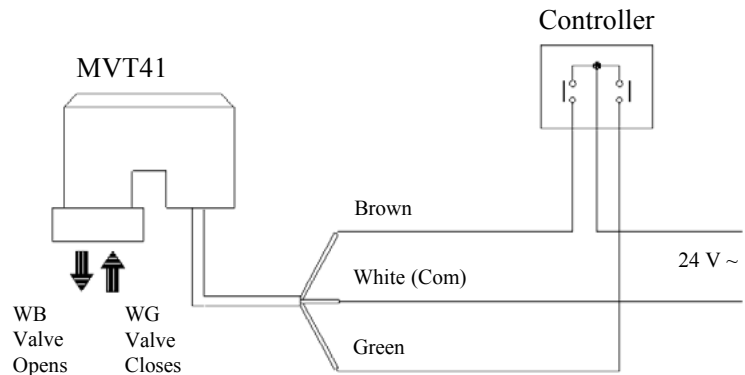
Prior to mounting the actuator on the valve, remove the black screw-on cap from the valve, insure that the actuator screw spindle is lined-up with the "upper notch" (upper mark) of actuator mounting neck. Screw the locking nut (M30 x 1.5) onto the threaded neck portion of the valve body.

When power failure occurs, actuator and valve will stay in last position of operation.



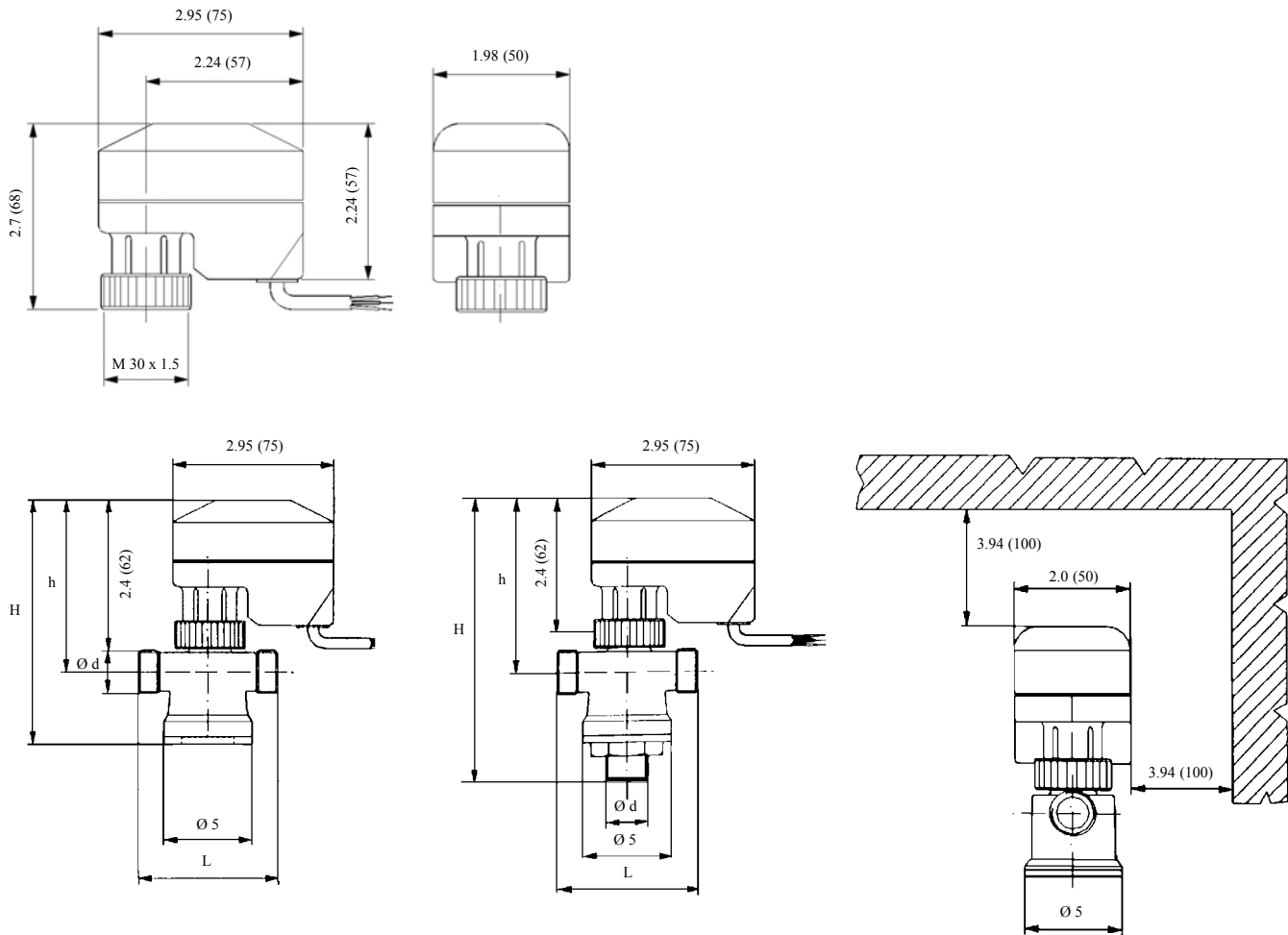
Wiring connection

When 24 VAC power is applied to the actuator between white (common) and brown, the valve stem will move downwards (valve will open). If 24 VAC is applied between white (common) and green, the valve stem will move upwards (valve will close).



"Modulating TRI-State/3-Point Floating or Two-Position Control."

DIMENSIONS, in. (mm)



DIMENSIONS

Part Numbers	Ø d M-NPT	L In (mm)	ØS In (mm)	H In (mm)	h In (mm)
2-Way					
MVT41/VST09, 10, 11, 12, 13, 1 PS2	1/2"	2.6 (66)	1.7 (42)	4.9 (124)	3.4 (85)
MVT41/VST2 PS2	3/4"	3.1 (77)	1.8 (46)	5.2 (131)	3.5 (88)
MVT41/VST4 N	1 1/4"	3.4 (87)	1.8 (43)	5.4 (136)	4.2 (106)
3-Way					
MVT41/VMT09, 10, 11, 12, 13, 1 PS2	1/2"	2.6 (66)	1.7 (42)	5.6 (142)	3.4 (85)
MVT41/VMT2 PS2	3/4"	3.1 (77)	1.8 (46)	5.8 (147)	3.5 (88)
MVT41/VMT4 N	1 1/4"(*1"F)	3.4 (87)	1.8 (43)	6.1 (155)	4.2 (106)

* Straight through ports 1 1/4"M, angle port 1"F