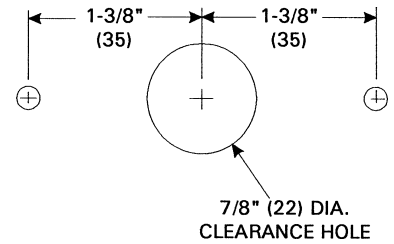


# Installation Guide

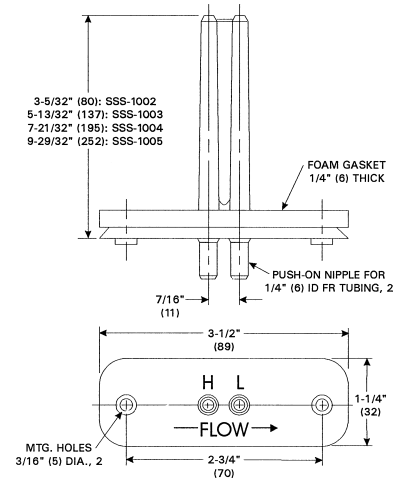
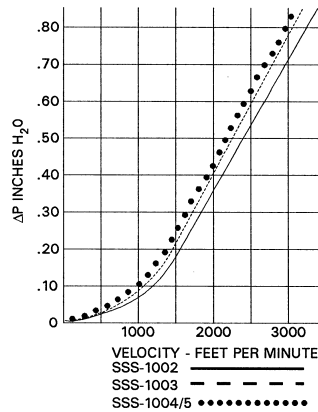
## Mounting

1. Install the unit horizontally to assure accurate velocity readings.
3. Determine the duct's flow direction and install the SSS-1000 based on the unit's flow arrow imprint.
3. Cut a 7/8" hole in the ducting to accept the unit.
4. Attach using two self-tapping screws inserted in the 3/16" mounting holes.



## Connections

- ◆ Connections use 3/8" O.D. polyethylene tubing.
  - ◆ Check that there are no sharp bends in the tubing at any connection. Bends and creases may leak as tubing ages.
1. Connect the Port "H" to the "Hi" input on the VAV controller.
  2. Connect the Port "L" to the "Lo" Input on the VAV controller



## Maintenance

No routine maintenance is required.

The SSS-1000 Flow Sensors are designed for dependable, long term reliability and performance.