

# MR-810 SERIES

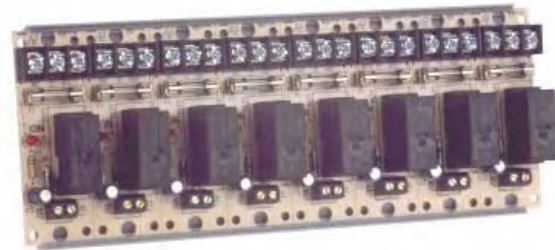
## 10A FUSED RELAYS

### PRODUCT DESCRIPTION

The MR-810 Series Relays offer SPDT 10A resistive contacts which may be operated from either a 24VDC or a 24VAC control input. The input voltages are polarity sensitive and diode protected. The common output contact contains a 10A fuse which protects the contacts and load from over current.

Each relay position contains a red LED which indicates when the relay coil is energized. Relays may be “snapped apart” from a standard 8 module assembly and used independently. Relays are available with snap track and mounting hardware or swage type spacers. A single MR-811, MR-812, MR-814 or MR-818 is also available mounted in a sturdy NEMA I enclosure.

These devices are ideal for applications where protected control of up to 10A electrical loads are required. They are suitable for use with HVAC, Temperature Control, Fire Alarm, Security, Energy Management and Lighting Control Systems.

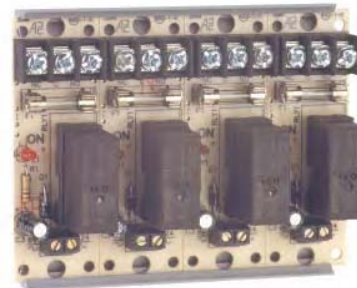


MR-818/T



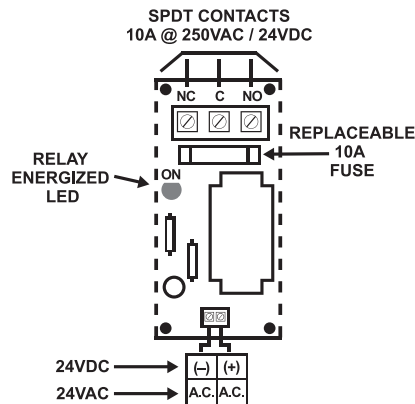
MR-811/T

**RECOGNIZED COMPONENTS**



MR-814/T

### WIRING (TYPICAL FOR ONE MODULE POSITION)



**PRODUCT SPECIFICATIONS**

MODEL NUMBER	MODULE POSITIONS	CONTACT CONFIGURATION PER POSITION	SPACER MOUNTED H x W x D	TRACK MOUNTED H x W x D	ENCLOSURE MOUNTED H x W x D	COVER MATERIAL	
MR-811/S	1	SPDT	3.25" (83mm) 1.06" (27mm) 1.10" (28mm)				
MR-811/T				3.45" (88mm) 2.00" (51mm) 1.07" (27mm)			
MR-811/C						5.13" (130mm) 3.13" (79mm)	Grey ABS 94V-O Plastic
MR-811/C/R						2.50" (64mm)	Red ABS 94V-O Plastic
MR-812/S	2	SPDT	3.25" (83mm) 2.12" (54mm) 1.10" (28mm)				
MR-812/T				3.45" (88mm) 2.13" (54mm) 1.07" (27mm)			
MR-812/C						5.13" (130mm) 3.13" (79mm)	Grey ABS 94V-O Plastic
MR-812/C/R						2.50" (64mm)	Red ABS 94V-O Plastic
MR-814/S	4	SPDT	3.25" (83mm) 4.25" (108mm) 1.10" (28mm)				
MR-814/T				3.45" (88mm) 4.25" (108mm) 1.07" (27mm)			
MR-814/C						5.13" (130mm) 9.50" (241mm)	Plated 18ga CRS
MR-814/C/R						2.50" (64mm)	Red 18ga CRS
MR-818/S	8	SPDT	3.25" (83mm) 8.50" (215mm) 1.10" (28mm)				
MR-818/T				3.45" (88mm) 8.50" (215mm) 1.07" (27mm)			
MR-818/C						5.13" (130mm) 9.50" (241mm)	Plated 18ga CRS
MR-818/C/R						2.50" (64mm)	Red 18ga CRS

POWER REQUIREMENTS:	24VDC @ 20mA (per position)	24VAC @ 63mA
COIL DATA:	24VDC/VAC nominal; Pick-up = 19.2VDC; Drop-out = 3.6VDC; Max. = 26.4VDC	
COMPONENTS:	Uses UL Recognized Components	
POLARIZED:	Yes	
ENERGIZED LED INDICATOR:	One per module position	
CONTACT RATINGS:	Resistive load: 10A @ 24VDC / 250VAC	
ENVIRONMENTAL:	32°F to 120°F (0°C to 49°C) @ 85% RH, Non-condensing, Non-freezing	
WIRING:	Solid or stranded; #14 to #22 AWG terminals	
FUSE:	10A field replaceable 0.25" Dia. X 0.75" L buss type	
/S VERSIONS:	Aluminum spacers provided with #8 X 7/8" screws	
/T VERSIONS:	3.5" wide, low profile plastic snap track provided with mounting screws	
/C VERSIONS:	Backbox: 18ga CRS, plated with 1/2" conduit knockouts top and bottom	