

DESCRIPTION

Two-position, “On” / “Auto” rotary-style selector switch with one normally open (NO) and one normally closed (NC) contact. This switch is ideal for enabling automatic control of ventilation equipment in response to toxic or combustible gas sensors or other demand-controlled ventilation strategies (“Auto”), or disabling such operation by placing the ventilation equipment in its always-on state (“On”).

FEATURES

- 3.0 x 3.0 x 2.3 inch (76 x 76 x 59 mm) yellow polycarbonate enclosure
- 10 A continuous contact rating
- Wire 1x22 AWG min. to 2x14 AWG or 1x12 AWG max.
- Finger-safe IP20 contacts
- IP65 / NEMA 4X (indoor only)
- Suitable for high temperatures -13°F to 140°F (-25°C to 60°C) and corrosive environments
- UL Listed, RoHS Compliant
- One year material and workmanship

I-ONAUTOSWITCH



- EN60947-1
- EN60947-5-1
- VDE0660-200
- UL 508
- CSA C22-2 No.14

SPECIFICATIONS

Electrical

Operational voltage See Operational Voltage Table
 Contact ratings 10 A, continuous

Operating Conditions

Operating temperature -13°F to 140°F (-25°C to 60°C)
 Ambient temperature -13°F to 140°F (-25°C to 60°C)
 Relative humidity 45 to 85%RH, non-condensing
 Storage temperature -40°F to 176°F (-40°C to 80°C)
 Protection IP65 (when IP65 switches & pilot devices are installed);
 NEMA Type 4X *Indoor Use Only* (when Type 4X switches & pilot devices are installed)

Material

- cover and base Polycarbonate
 - cover mounting screws Stainless steel

Mechanical

Application wire size Min. 1 x 22 AWG, max. 2 x 14 AWG or 1 x 12 AWG

Horsepower rating Reference value:
 1/4 HP @ 120 V (1ø non-reversing), 1HP @ 240 V (3ø non-reversing)

Contact material Silver
 Mechanical life 500,000 operations
Conforms to EN60947-1, EN60947-5-1, VDE0660-200, UL 508, CSA C22-2 No.14

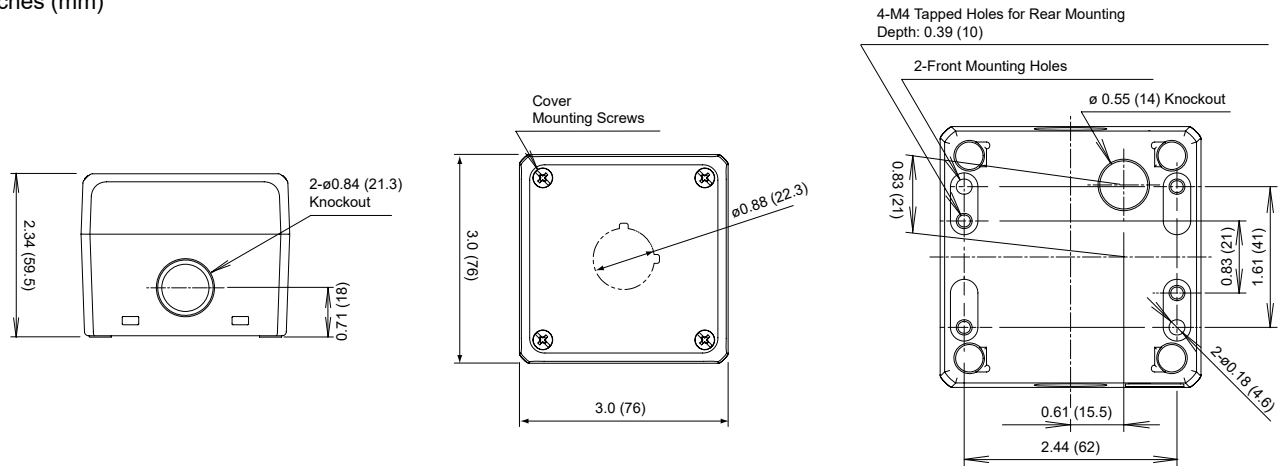
Electric shock protection Class 2 conforming to IEC60664-7

Degree of protection IP65, NEMA 4X
 Warranty One year material and workmanship

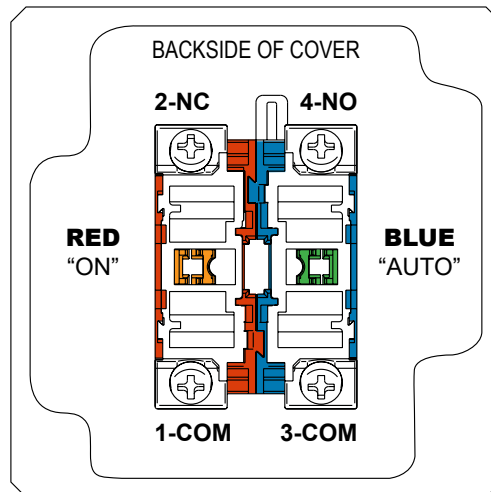
OPERATIONAL VOLTAGE		24 V	48 V	50 V	110 V	220 V	440 V
AC 50/60 Hz Operational Current	AC-12 Control of resistive loads & solid state loads	10 A	–	10 A	10 A	6 A	2 A
	AC-15 Control of electromagnetic loads (> 72VA)	10 A	–	7 A	5 A	3 A	1 A
DC Operational Current	DC-12 Control of resistive loads & solid state loads	10 A	5 A	–	2.2 A	1.1 A	–
	DC-13 Control of electromagnets	5 A	2 A	–	1.1 A	0.6 A	–

DIMENSIONS

inches (mm)



WIRING CONFIGURATION



ORDERING INFORMATION

PART NUMBER	DESCRIPTION
I-ONAUTOSWITCH	On-auto switch, 2-position selector switch, 1 NO / 1 NC, mounted in yellow enclosure, 3.0 x 3.0 x 2.3 in (76 x 76 x 59 mm)