

Zone Globe Valve Bodies, Screwed, Two & Three-way

Specifications subject to change without notice. | USA 200204 | Page 1 of 3



VSX-VMX

DESCRIPTION

Ultra compact 1/2" and 3/4" screwed, 2-way and 3-way, spring-return hot and chilled water valves with zero-leakage seat.

Compatible with MVX.. and MVR.. series electro-thermal actuators for noiseless, spring return, normally open or closed flow control.



APPLICATION

Valves for 2-way or 3-way mixing configuration in heating, ventilation and air conditioning systems, such as fan coil units, reheat in VAV/VVT boxes, base boards and other AC units.

FEATURES

- Ultra-compact design
- Hot & chilled water
- 232 PSIG rated body
- 3-way bypass with reduced Cv's for balanced system pressure
- Zero-leakage, tightly closed-off seat
- High turndown ratio
- Spring return, w/o actuator
- Optional manual override, screw-on cap
- Easy pop-on valve actuator
- Maintenance free
- Two-year warranty



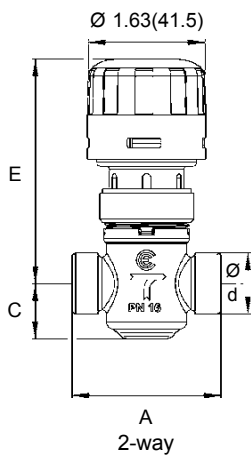
CE
certified
ISO 9000

SPECIFICATIONS

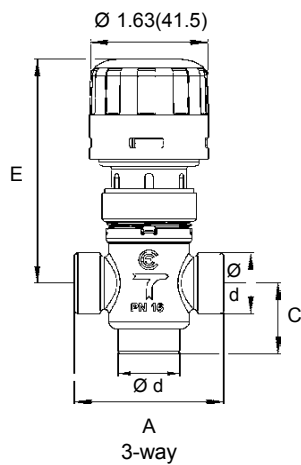
Physical		Stem stroke	0.1 in. (2.5 mm)
Body rating	232 PSIG (1600 kPa)	Leakage	None, tightly closed off
Media		Stroke Cv	
Water temperature		- straight or angle-away	Linear
- w/ MVX actuator	41°F to 203°F (5°C to 95°C)	Max. flow	590 ft/min (3m/sec)
Glycol added	Max. 30% of water contents	Spring return, no actuator installed	Part A to AB closed
Pipe Connection	Screwed, NPT male	Manual override	With optional black cap "VXC-CAP"
Material/Characteristics		Valve Actuator	MVX or MVR actuator series
Valve body	Brass	Compatibilities	Easy pop-on, screw connection
- packing	Double O-ring, Viton	Manufacturing	ISO 9000 certified
V.X24/26P	Double O-ring, EPDM	Listings/Approvals	CE
- stem	Stainless steel	Warranty	Two-year material and workmanship
- plug	NBR		
- seat	Technopolymer		

Size	Flow Coefficient		Max. Differential Pressure	Max. Close-Off Pressure	Part Numbers		Actuator Compatibility
	2 & 3-way Straight A to AB	3-way Angle B to AB			2-way	3-way	
Inch (mm)	Cv (Kv)	Cv (Kv)	A to AB PSIG (kPa)	A to AB PSIG (kPa)			
1/2" (15)	0.29 (0.25)	0.29 (0.25)	40 (250)	40 (250)	VSX09P-PS6	VMX09P-PS6	MVX41/21/57 "SR-N.C."
1/2" (15)	0.46 (0.4)	0.46 (0.4)	40 (250)	40 (250)	VSX10P-PS6	VMX10P-PS6	
1/2" (15)	0.69 (0.6)	0.69 (0.6)	40 (250)	40 (250)	VSX11P-PS6	VMX11P-PS6	
1/2" (15)	1.16 (1)	0.92 (0.8)	40 (250)	40 (250)	VSX12P-PS6	VMX12P-PS6	MVR... "SR-N.O."
1/2" (15)	1.85 (1.6)	1.16 (1)	40 (250)	40 (250)	VSX13P-PS6	VMX13P-PS6	
3/4" (20)	2.89 (2.5)	1.85 (1.6)	22 (150)	22 (150)	VSX21P-PS6	VMX21P-PS6	MVX42/22/52 "SR-N.C."
3/4" (20)	4.62 (4)	2.89 (2.5)	22 (150)	22 (150)	VSX24P-PS6	VMX24P-PS6	
3/4" (20)	6.94 (6)	4.62 (4)	22 (150)	22 (150)	VSX26P-PS6	VMX26P-PS6	

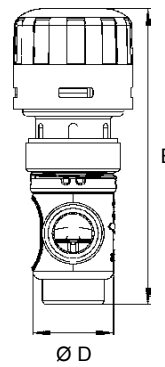
Valve with Actuator Dimensions, Inch (mm)									
Valve Body	Actuator	Size Ø d	A	B 2-way	B 3-way	C 2-way	C 3-way	Ø D	E
V.X09P-13P + MVX41/21		1/2"	2.05 (52)	3.76 (95.5)	3.98 (101)	0.77 (19.5)	0.98 (25)	1.10 (28)	2.99 (76)
V.X21P + MVX41/21		3/4"	2.20 (56)	3.76 (95.5)	4.33 (110)	0.77 (19.5)	1.34 (34)	1.10 (28)	2.99 (76)
V.X24P-26P + MVX42/22		3/4"	3.07 (78)	4.45 (113)	5.04 (128)	0.81 (20.5)	1.40 (35.5)	1.97 (50)	3.64 (92.5)
V.X09P-13P + MVX57		1/2"	2.05 (52)	4.43 (112.5)	4.65 (118)	0.77 (19.5)	0.98 (25)	1.10 (28)	3.66 (93)
V.X21P + MVX57		3/4"	2.20 (56)	4.43 (112.5)	5.00 (127)	0.77 (19.5)	1.34 (34)	1.10 (28)	3.66 (93)
V.X24P-26P + MVX52		3/4"	3.07 (78)	5.12 (130)	5.71 (145)	0.81 (20.5)	1.40 (35.5)	1.97 (50)	4.31 (109.5)
V.X09P-13P + MVR...		1/2"	2.05 (52)	4.49 (114)	4.72 (120)	0.77 (19.5)	0.98 (25)	1.10 (28)	3.72 (94.5)
V.X21P + MVR...		3/4"	2.20 (56)	4.49 (114)	5.06 (128.5)	0.77 (19.5)	1.34 (34)	1.10 (28)	3.72 (94.5)



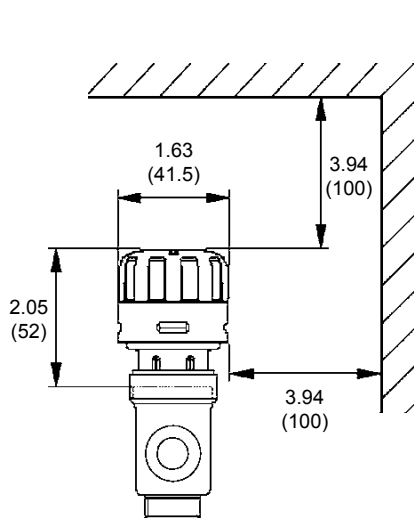
**VSX09P-13P
+MVX41/21**



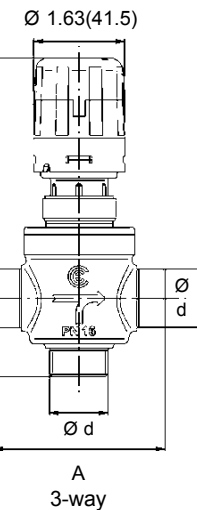
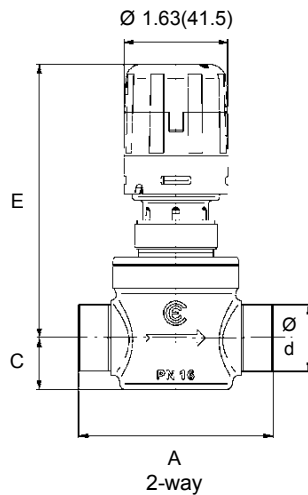
**VMX09P-13P
+MVX41/21**



Valve Body	Size	Weight lbs (kg)
V.X09P-13P 2-way, 3-way	1/2"	0.29 (0.13)
V.X21P 2-way, 3-way	3/4"	0.40 (0.18)
V.X24P-26P 2-way, 3-way	3/4"	0.90 (0.40)

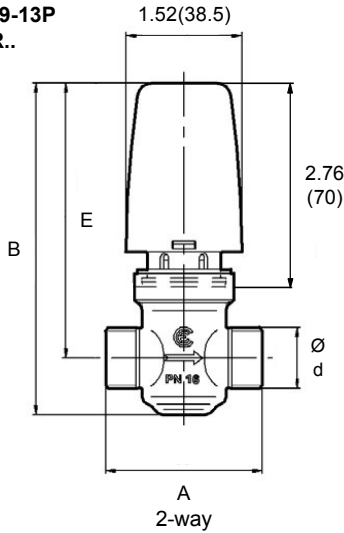


**VSX24P-26P
+MVX52**

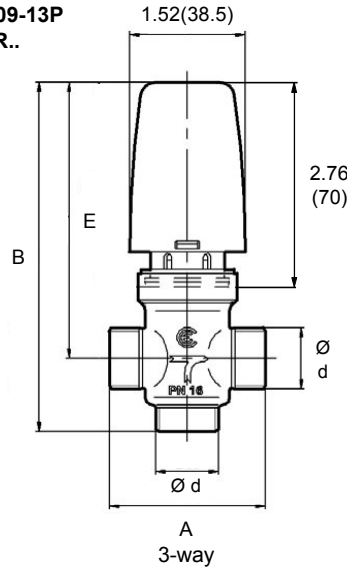


**VMX24P-26P
+MVX52**

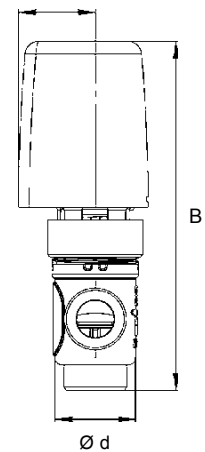
VSX09-13P
+MVR..



VMX09-13P
+MVR..



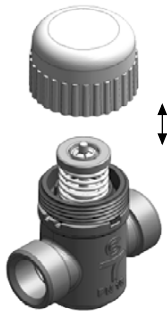
1.04(26.5)



OPTIONS & ACCESSORIES

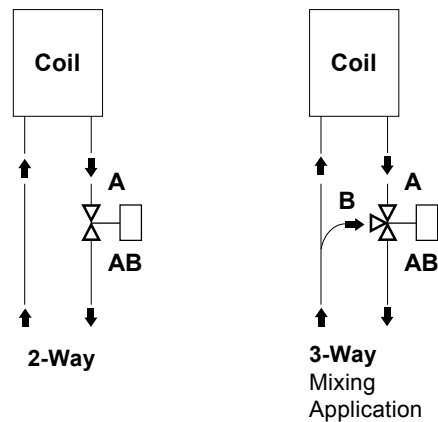
VXC-CAP

Manual override cap



The valve can be manually opened, closed, and put into any position by screwing the override cap onto the threaded neck portion of the valve body, and stroking up or down the valve stem.

VALVE PIPING & OPERATION



Valve markings on body for

2-way: **A** and **AB**
3-way: **A**, **B** and **AB**

Valve Action	without actuator coupled	Actuator Coupled			
		MVX...		MVR...	
Port A to AB - Spring return		0% Power	100% Signal Power	0% Power	100% Signal Power
VSX..P 2-way VMX..P 3-way	closed stem up	closed stem up	open stem down	open stem down	closed stem up

To avoid valve clogging, all dirt, metal shavings, slag, sand, etc. located inside of the piping must be removed/flushed out prior to installing the valve.

Avoid installing the valve in a location where it will be subjected to vibration.

The valve body should be piped-up without the actuator assembled.

The valve can be piped in a horizontal or vertical position, but not if the valve stem points downwards.

2-way valves must be piped with flow input **A** to output **AB**.

3-way valves should be piped as a mixing configuration (flow input **A** and input **B** to output **AB**.)

If piped incorrectly, valve performance may falter.

